

LP SOLIDSTART I-JOISTS LIGHT-FRAME COMMERCIAL, MIDRISE, AND MULTIFAMILY CONSTRUCTION CANADIAN (LSD) TECHNICAL GUIDE

LPI® 20Plus, 32Plus, 36, 42Plus, 52Plus and 56 Series

LP SolidStart®
ENGINEERED WOOD



Limit States Design

Introduction

Light-Frame Commercial, Midrise and Multifamily Building Products from LP Building Products.

LP® SolidStart® ENGINEERED WOOD PRODUCTS. ADVANTAGES YOU CAN USE.

LP SolidStart Engineered Wood Products provide solid, true and uniform building solutions for not only residential construction but for light-frame commercial and multifamily projects as well.

Our products deliver sustainability benefits and cost efficiencies that traditional lumber can't match. They offer superior strength, durability and consistency. They cut and work just like traditional wood. And they resist cupping, warping, twisting and shrinking. So you save time and money during construction while delivering advantages your customers will enjoy for years to come.

This guide features design information especially for builders using our engineered wood products in light-frame commercial and multifamily construction.

LIFETIME LIMITED WARRANTY

LP SolidStart Engineered Wood Products are backed by a lifetime limited warranty. Visit LPCorp.com or call 1.888.820.0325 for a copy of the warranty.



Table of Contents

I-JOISTS

- Product Specifications & Design Values 4-5
- Floor Span Tables. 6-15
- Roof Span Tables: Low Slope 16-17
- Roof Span Tables: High Slope 18-19
- Web Hole Specifications: Circular Holes 20
- Web Hole Specifications: Rectangular Holes 21
- Web Stiffeners 22
- Sprinkler Details 23
- Floor Details. 24-25
- Roof Details 26
- Temporary Bracing 27

GENERAL INFORMATION

- LP® SolidStart® Rim Board 28
- Warnings. 29
- Handling and Storage Guidelines. 30



Product Specifications & Design Values

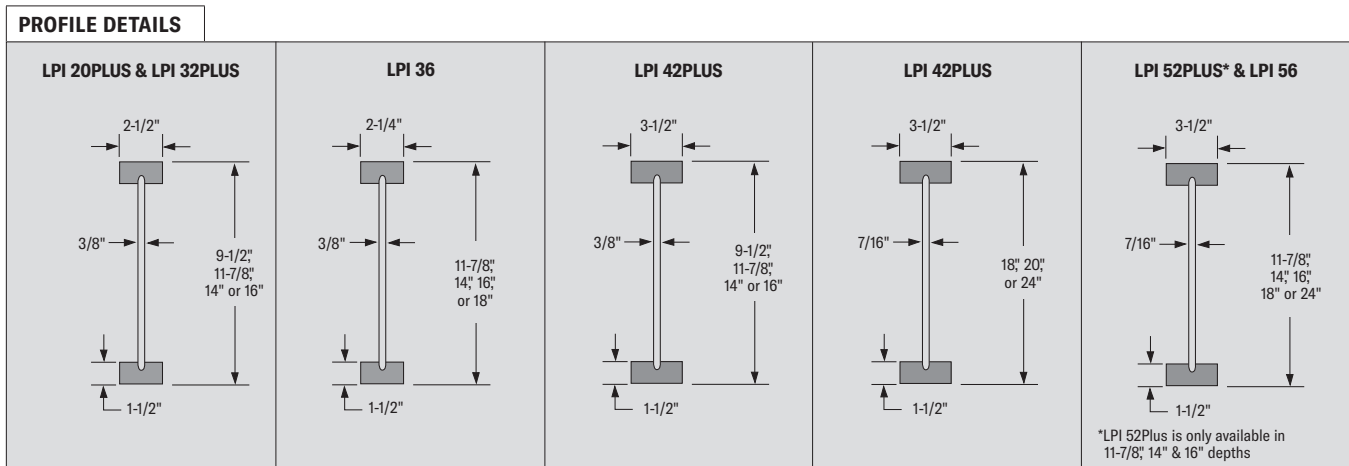
LIMIT STATES DESIGN VALUES						
Series	Depth	Weight (plf)	Factored Moment (lb-ft)	EI x 10 ⁶ (lb-in ²)	K x 10 ⁶ (lb-ft/in)	Factored Shear (lbs)
	11-7/8"	2.9	6250	318	0.438	2345
	14"	3.1	7320	474	0.512	2650
	16"	3.3	8400	652	0.582	2950
LPI 32Plus	9-1/2"	2.6	5570	221	0.358	1990
	11-7/8"	2.9	7210	375	0.438	2345
	14"	3.1	8680	549	0.512	2650
	16"	3.3	10065	743	0.582	2950
LPI 36	11-7/8"	3.1	10715	429	0.468	2550
	14"	3.4	12900	622	0.550	2890
	16"	3.6	14960	836	0.625	3190
	18"	3.9	16860	1082	0.700	3450
LPI 42Plus	9-1/2"	3.4	8940	321	0.412	2115
	11-7/8"	3.5	11585	547	0.515	2565
	14"	3.8	13950	802	0.607	2960
	16"	4.0	16180	1092	0.693	3340
	18"	4.4	18290	1333	0.960	4035
	20"	4.6	20245	1688	1.067	4410
	24"	5.5	24080	2534	1.280	5160
LPI 52Plus	11-7/8"	4.5	14085	600	0.633	3245
	14"	4.8	16960	874	0.747	3680
	16"	5.0	19670	1183	0.853	4080
LPI 56	11-7/8"	4.5	16920	668	0.549	3245
	14"	4.8	20370	968	0.641	3680
	16"	5.0	23625	1301	0.729	4080
	18"	5.3	26630	1684	0.817	4490
	24"	6.0	35490	3127	1.081	5715

NOTES:

- LP® SolidStart® I-Joists shall be designed for dry-use conditions only. Dry-use applies to products installed in dry, covered and well ventilated interior conditions in which the equivalent average moisture content in lumber will not exceed 15% nor a maximum of 19%.
- Moment and Shear are the factored resistances for standard load duration and shall be adjusted according to code.
- Moment resistance shall not be increased for repetitive member use.
- Deflection calculations shall include both bending and shear deformations.

Deflection for a simple span, uniform load: $\Delta = \frac{22.5wL^4}{EI} + \frac{wL^2}{K}$ Where: Δ = deflection (in) EI = bending stiffness (from table)
 w = uniform load (plf) K = shear stiffness (from table)
 L = design span (ft)

Equations for other conditions can be found in engineering references.



Product Specifications & Design Values

FACTORED REACTION AND BEARING RESISTANCE											
Series	Depth	End Reaction Resistance ¹ (lbs)					Interior Reaction Resistance ¹ (lbs)				Flange Bearing Resistance, ϕF_{cp} (lb/in)
		Minimum Bearing			Maximum Bearing (4")		Minimum Bearing (3-1/2")		Maximum Bearing (5-1/2")		
		W/out Stiffeners	With Stiffeners	Bearing Length	W/out Stiffeners	With Stiffeners	W/out Stiffeners	With Stiffeners	W/out Stiffeners	With Stiffeners	
LPI 20Plus	9-1/2"	1530	1800	1-1/2"	1750	1990	3465	3750	3865	4160	1380
	11-7/8"	1530	2010	1-1/2"	1830	2345	3680	3985	4095	4465	
	14"	1530	2200	1-1/2"	1895	2650	3875	4205	4300	4745	
	16"	1530	2385	1-1/2"	1955	2950	4055	4410	4500	5010	
LPI 32Plus	9-1/2"	1530	1800	1-1/2"	1750	1990	3465	3750	3865	4160	1695
	11-7/8"	1530	2010	1-1/2"	1830	2345	3680	3985	4095	4465	
	14"	1530	2200	1-1/2"	1895	2650	3875	4205	4300	4745	
	16"	1530	2385	1-1/2"	1955	2950	4055	4410	4500	5010	
LPI 36	11-7/8"	1620	2370	1-1/2"	2030	2550	3940	4900	4475	5475	1720
	14"	1620	2390	1-1/2"	2090	2890	3940	5060	4475	5625	
	16"	1620	2405	1-1/2"	2145	3190	3940	5215	4475	5770	
	18"	1855	2840	2-1/2"	2200	3450	3940	5375	4475	5920	
LPI 42Plus	9-1/2"	1870	2115	1-1/2"	2060	2115	4575	4885	4640	5045	2450
	11-7/8"	1965	2385	1-1/2"	2520	2565	4775	5270	4925	5550	
	14"	2050	2620	1-1/2"	2520	2960	4955	5625	5175	6005	
	16"	2130	2840	1-1/2"	2520	3340	5120	5960	5420	6440	
	18"	2370	3640	2-1/2"	2670	4035	5445	6765	6075	7300	
	20"	2370	3865	2-1/2"	2670	4410	5445	6960	6075	7630	
LPI 52Plus	11-7/8"	2160	2875	1-1/2"	2670	3245	5400	6315	5740	6645	2450
	14"	2185	3110	1-1/2"	2910	3680	5420	6725	5910	7165	
	16"	2210	3330	1-1/2"	3135	4080	5445	7110	6075	7665	
LPI 56	11-7/8"	1805	2620	1-1/2"	2390	3245	4940	6090	5795	6410	2720
	14"	1805	2770	1-1/2"	2425	3680	4940	6400	5795	6785	
	16"	1805	2910	1-1/2"	2455	4080	4940	6700	5795	7140	
	18"	2075	3630	2-1/2"	2485	4490	4940	7000	5795	7495	
	24"	2115	4370	2-1/2"	2580	5715	4940	7890	5795	8570	

NOTES:

- End and Interior Reaction Resistance shall be limited by the Flange Bearing Resistance or the bearing resistance of the support material, whichever is less.
- The Flange Bearing Resistance is the specified strength in compression perpendicular-to-grain (f_{cp}) of the I-joist flange multiplied by $\phi = 0.8$.
- To account for eased edges when determining the compressive resistance perpendicular-to-grain (Q_c and Q'_c) of the I-joist flange and of the support material, subtract the following from the nominal flange width of the I-joist:
 - subtract 0.25" for the LPI 18, LPI 20Plus, LPI 32Plus, LPI 42Plus & LPI 52Plus
 - subtract 0.10" for the LPI 36 & LPI 56
- Reaction Resistance, Flange Bearing Resistance and the bearing resistance of any wood support are for standard load duration and shall be reduced according to code for longer loading duration.
- Reaction Resistance and Flange Bearing Resistance may be increased over that tabulated for the minimum bearing length. Linear interpolation of the Reaction Resistance between the minimum and maximum bearing length is permitted. Bearing lengths longer than the maximum do not further increase Reaction Resistance. Flange Bearing Resistance and that of a wood support will increase with additional bearing length.

EXAMPLE:

Determine the stiffened end reaction resistance for a 14" LPI 32Plus with 2" of bearing, supported on an SPF wall plate (768 psi).

- Determine End Reaction (ER) w/ Stiffeners:
 $ER = 2200 + (2650 - 2200) * (2" - 1.5") / (4" - 1.5") = 2290$ lbs
- Determine Flange Bearing Resistance (FBR):
 $FBR = 754 \text{ psi} * (2.5" - 0.25") * 2" = 3393$ lbs
- Determine wall Plate Bearing Resistance (PBR):
 $PBR = 0.8 * 768 \text{ psi} * (2.5" - 0.25") * 2" = 2764$ lbs
- Final End Reaction Resistance w/ Stiffeners = 2290 lbs

FLANGE FACE NAILING

Series	Common Wire Nail Length	Minimum Nail Distance	
		oc Spacing	End
LPI 20Plus, LPI 32Plus LPI 42Plus & LPI 52Plus	2-1/2"	2"	1"
	3"	3"	1-1/2"
	3-1/4"	3"	1-1/2"
	3-1/2"	4"	1-1/2"
LPI 36 & LPI 56	2-1/2"	3"	1-1/2"
	3"	3"	1-1/2"
	3-1/4"	3"	1-1/2"
	3-1/2"	5"	1-1/2"

NOTES:

- Use only 2-1/2" or 3" nails when securing an LPI floor or roof joist to its supports.
- Power-driven nails shall have a yield strength equivalent to common wire nails of the same shank diameter.

RIM AND BLOCKING CAPACITY

Series	Depth	Factored Vertical Load Resistance
		(plf)
LPI 20Plus	9-1/2"	2755
	11-7/8"	2552
	14"	2320
	16"	2175
LPI 32Plus	9-1/2"	3190
	11-7/8"	3190
	14"	2320
	16"	2175
LPI 36	11-7/8"	2610
	14"	2610
	16"	2610
	18"	1885
LPI 42Plus	9-1/2"	3190
	11-7/8"	3190
	14"	2900
	16"	2900
	18"	2465
	20"	2291
LPI 52Plus	11-7/8"	3480
	14"	3190
	16"	2900
	18"	2465
LPI 56	11-7/8"	3480
	14"	3190
	16"	2755
	18"	2465
	24"	1595

NOTES:

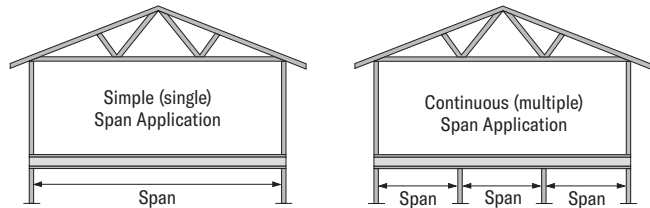
- The Factored Vertical Load Resistance is the capacity in pounds per lineal foot of length (plf) and shall not be adjusted for load duration.
- Concentrated vertical loads require the addition of squash blocks. Do not use LPI rim or blocking to support concentrated vertical loads.
- The Factored Lateral Load Resistance for all series above is 260 plf but may be limited by the connection details used. Do not exceed the Flange Face Nailing requirements to the left.

Floor Span Tables: 40 psf Live Load, 25 psf Dead Load, 23/32" OSB Sheathing

TO USE:

1. Select the appropriate table based on the floor system construction.
2. Select the Simple Span or Continuous Span section of the table, as required.
3. Find a span that meets or exceeds the required clear span.
4. Read the corresponding joist series, depth and spacing.

CAUTION: For floor systems that require both Simple Span and Continuous Span joists, it is a good idea to check both before selecting a joist. Some conditions are controlled by Continuous Span rather than Simple Span.



40 PSF LIVE LOAD, 25 PSF DEAD LOAD: 23/32" OSB SHEATHING, GLUED & NAILED

Series	Depth	No Direct Attached Ceiling								Direct Attached 1/2" Gypsum Ceiling							
		Maximum Simple Spans				Maximum Continuous Spans				Maximum Simple Spans				Maximum Continuous Spans			
		12" oc	16" oc	19.2" oc	24" oc	12" oc	16" oc	19.2" oc	24" oc	12" oc	16" oc	19.2" oc	24" oc	12" oc	16" oc	19.2" oc	24" oc
LPI 20Plus	9-1/2"	16'-4"	15'-4"	14'-10"	14'-2"	16'-10"	15'-11"	15'-4"	14'-1"	16'-9"	15'-9"	15'-3"	14'-2"	17'-4"	16'-4"	15'-9"	14'-1"
	11-7/8"	18'-4"	17'-3"	16'-7"	15'-11"	19'-3"	17'-10"	17'-2"	16'-4"	19'-0"	17'-9"	17'-1"	16'-5"	19'-11"	18'-6"	17'-8"	16'-4"
	14"	20'-6"	19'-0"	18'-1"	17'-4"	21'-5"	19'-10"	18'-11"	17'-8"	21'-2"	19'-8"	18'-10"	17'-9"	22'-3"	20'-8"	19'-9"	17'-8"
	16"	22'-4"	20'-8"	19'-3"	18'-9"	23'-5"	21'-8"	20'-8"	18'-11"	23'-1"	21'-6"	20'-6"	19'-0"	24'-3"	22'-2"	21'-2"	18'-11"
LPI 32Plus	9-1/2"	16'-9"	15'-10"	15'-3"	14'-8"	17'-4"	16'-4"	15'-9"	15'-1"	17'-2"	16'-2"	15'-7"	15'-0"	17'-9"	16'-9"	16'-2"	15'-5"
	11-7/8"	19'-0"	17'-8"	17'-0"	16'-4"	19'-11"	18'-5"	17'-8"	16'-11"	19'-7"	18'-2"	17'-6"	16'-10"	20'-7"	19'-1"	18'-3"	17'-3"
	14"	21'-1"	19'-7"	18'-8"	17'-9"	22'-2"	20'-6"	19'-6"	18'-2"	21'-9"	20'-3"	19'-4"	18'-4"	22'-10"	21'-3"	20'-3"	18'-2"
	16"	23'-0"	21'-3"	20'-3"	19'-3"	24'-1"	24'-1"	22'-4"	21'-3"	23'-8"	22'-0"	21'-0"	19'-11"	24'-11"	23'-7"	22'-1"	19'-11"
LPI 36	11-7/8"	19'-7"	18'-2"	17'-5"	16'-9"	20'-7"	19'-0"	18'-2"	17'-4"	20'-2"	18'-9"	17'-10"	17'-2"	21'-2"	19'-8"	18'-9"	17'-9"
	14"	21'-9"	20'-1"	19'-2"	18'-2"	22'-10"	21'-1"	20'-1"	19'-1"	22'-5"	20'-9"	19'-10"	18'-10"	23'-6"	21'-10"	20'-10"	19'-9"
	16"	23'-7"	21'-10"	20'-10"	19'-9"	24'-9"	22'-11"	21'-10"	20'-10"	24'-4"	22'-7"	21'-6"	20'-5"	25'-6"	23'-6"	22'-7"	20'-9"
	18"	25'-4"	23'-5"	22'-3"	21'-1"	26'-8"	24'-8"	23'-6"	22'-0"	26'-1"	24'-2"	23'-1"	21'-11"	27'-6"	25'-6"	24'-4"	22'-0"
LPI 42Plus	9-1/2"	17'-11"	16'-10"	16'-3"	15'-7"	18'-9"	17'-5"	16'-9"	16'-1"	18'-4"	17'-2"	16'-7"	15'-10"	19'-3"	17'-10"	17'-2"	16'-5"
	11-7/8"	20'-9"	19'-2"	18'-3"	17'-5"	21'-9"	20'-1"	19'-1"	18'-1"	21'-3"	19'-8"	18'-9"	17'-10"	22'-4"	20'-8"	19'-8"	18'-8"
	14"	23'-0"	21'-3"	20'-3"	19'-2"	24'-2"	22'-4"	21'-3"	20'-1"	23'-8"	21'-11"	20'-10"	19'-9"	24'-10"	23'-0"	21'-11"	20'-9"
	16"	25'-1"	23'-2"	22'-1"	20'-11"	26'-4"	24'-4"	23'-2"	21'-11"	25'-9"	23'-10"	22'-9"	21'-6"	27'-1"	25'-1"	23'-10"	22'-7"
	18"	26'-8"	24'-8"	23'-6"	22'-3"	28'-2"	26'-0"	24'-9"	23'-5"	27'-5"	25'-5"	24'-3"	22'-11"	28'-11"	26'-9"	25'-6"	24'-2"
LPI 52Plus	11-7/8"	21'-3"	19'-8"	18'-9"	17'-10"	22'-4"	20'-7"	19'-8"	18'-7"	21'-9"	20'-2"	19'-3"	18'-3"	22'-10"	21'-2"	20'-2"	19'-1"
	14"	23'-8"	21'-10"	20'-9"	19'-8"	24'-10"	22'-11"	21'-10"	20'-8"	24'-2"	22'-5"	21'-4"	20'-3"	25'-5"	23'-6"	22'-5"	21'-3"
	16"	25'-9"	23'-9"	22'-7"	21'-5"	27'-0"	24'-11"	23'-9"	22'-5"	26'-4"	24'-5"	23'-3"	22'-0"	27'-8"	25'-7"	24'-5"	23'-1"
	18"	28'-1"	25'-10"	24'-7"	23'-3"	29'-7"	27'-3"	25'-11"	24'-6"	28'-9"	26'-7"	25'-3"	23'-11"	30'-3"	28'-0"	26'-8"	25'-3"
	24"	34'-0"	30'-10"	29'-4"	27'-8"	36'-7"	32'-10"	30'-11"	29'-2"	35'-1"	31'-8"	30'-2"	28'-6"	37'-9"	34'-1"	31'-11"	30'-1"

NOTES:

1. Joist spans have been calculated in accordance with CSA O86 for the specified uniform floor loads listed. Concentrated load cases, where required, shall be evaluated by the designer.
2. The spans listed are the clear distance between supports. Continuous spans are based on the longest span. The shortest span shall not be less than 50% of the longest span. Refer to the Uplift Coefficients table below to determine the required uplift restraint for the end of the shorter span of continuous, unequal span joists.
3. Vibration has been checked in accordance with CCMC concluding report (dated September 4, 1997) with glued & nailed floor sheathing, with or without a direct attached 1/2" gypsum ceiling, as indicated in the table.
4. The floor sheathing shall be 1F24 rated OSB conforming to CSA O325 and shall be glued to the joists with an elastomeric adhesive conforming to CGSB Standard CAN-CGSB-71.26-M88.
5. Uniform load deflection is limited to the following: bare joist L/360 on live load and L/240 on total load. Long term deflection (creep) has not been considered. The designer shall evaluate live and total load deflection, and creep in the final design of the member.
6. The spans are based on an end bearing length of 1-3/4" for joists up to 16" deep and 2-1/2" for joists 18" and deeper. An interior bearing length of at least 3-1/2" is required. The spans are limited to the bearing resistance of an SPF wall plate.
7. Web stiffeners are not required for the spans in these tables except where **bold**. For spans in **bold**, web stiffeners shall be installed at all supports.
8. Web fillers are required for I-Joists seated in hangers that do not laterally support the top flange or for hangers that require nailing into the web.
9. Provide lateral support at points of bearing to prevent twisting of joists.
10. Use in dry service conditions only.
11. For conditions not covered or for additional information contact your LP® SolidStart® Engineered Wood Products distributor.

UPLIFT COEFFICIENTS

Short span / Long span	0.50	0.55	0.60	0.65	0.70	0.75	0.80	0.85	0.90	0.95	1.00
Coefficient A	0.375	0.709	1.088	1.514	1.989	2.516	3.096	3.732	4.427	5.182	6.000
Coefficient B	6.00	6.82	7.68	8.58	9.52	10.5	11.52	12.58	13.68	14.82	16.00

NOTE:

For joists continuous over two or more spans, where the short span is at least 50% of the long span, the end of the short span shall be anchored to resist any uplift force as indicated by a negative value from the following:

$$\text{Factored Uplift Force (lb)} = L \cdot s \cdot (A \cdot D_f - L_f) / B$$

(a negative value represents uplift that must be restrained)

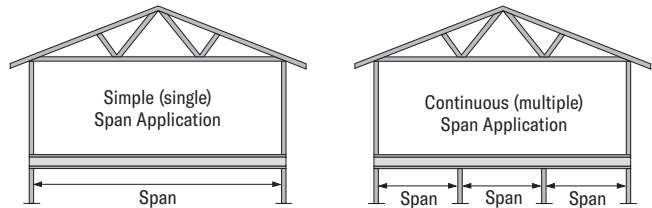
Where L = longest span (ft), s = joist spacing (ft), D_f = factored dead load (psf), L_f = factored live load (psf), A and B are coefficients given in the table

Floor Span Tables: 40 psf Live Load, 35 psf Dead Load, 23/32" OSB Sheathing

TO USE:

1. Select the appropriate table based on the floor system construction.
2. Select the Simple Span or Continuous Span section of the table, as required.
3. Find a span that meets or exceeds the required clear span.
4. Read the corresponding joist series, depth and spacing.

CAUTION: For floor systems that require both Simple Span and Continuous Span joists, it is a good idea to check both before selecting a joist. Some conditions are controlled by Continuous Span rather than Simple Span.



40 PSF LIVE LOAD, 35 PSF DEAD LOAD: 23/32" OSB SHEATHING, GLUED & NAILED																	
Series	Depth	No Direct Attached Ceiling								Direct Attached 1/2" Gypsum Ceiling							
		Maximum Simple Spans				Maximum Continuous Spans				Maximum Simple Spans			Maximum Continuous Spans				
		12" oc	16" oc	19.2" oc	24" oc	12" oc	16" oc	19.2" oc	24" oc	12" oc	16" oc	19.2" oc	24" oc	12" oc	16" oc	19.2" oc	24" oc
LPI 20Plus	9-1/2"	16'-4"	15'-4"	14'-10"	13'-3"	16'-10"	15'-11"	14'-9"	13'-2"	16'-9"	15'-9"	14'-10"	13'-3"	17'-4"	16'-2"	14'-9"	13'-2"
	11-7/8"	18'-4"	17'-3"	16'-7"	15'-4"	19'-3"	17'-10"	17'-1"	15'-1"	19'-0"	17'-9"	17'-1"	15'-4"	19'-11"	18'-6"	17'-1"	15'-1"
	14"	20'-6"	19'-0"	18'-1"	16'-8"	21'-5"	19'-10"	18'-6"	16'-0"	21'-2"	19'-8"	18'-7"	16'-8"	22'-3"	20'-4"	18'-6"	16'-0"
	16"	22'-4"	20'-8"	19'-9"	17'-10"	23'-5"	21'-8"	19'-10"	16'-9"	23'-1"	21'-6"	19'-11"	17'-10"	24'-3"	21'-9"	19'-10"	16'-9"
LPI 32Plus	9-1/2"	16'-9"	15'-10"	15'-3"	14'-6"	17'-4"	16'-4"	15'-9"	14'-3"	17'-2"	16'-2"	15'-7"	14'-6"	17'-9"	16'-9"	16'-2"	14'-3"
	11-7/8"	19'-0"	17'-8"	17'-0"	16'-4"	19'-11"	18'-5"	17'-8"	15'-1"	19'-7"	18'-2"	17'-6"	16'-6"	20'-7"	19'-1"	18'-3"	15'-1"
	14"	21'-1"	19'-7"	18'-8"	17'-9"	22'-2"	20'-6"	19'-6"	16'-0"	21'-9"	20'-3"	19'-4"	18'-2"	22'-10"	21'-3"	20'-0"	16'-0"
	16"	23'-0"	21'-3"	20'-3"	19'-3"	24'-1"	22'-4"	21'-0"	16'-9"	23'-8"	22'-0"	21'-0"	19'-6"	24'-11"	23'-9"	21'-0"	16'-9"
LPI 36	11-7/8"	19'-7"	18'-2"	17'-5"	16'-9"	20'-7"	19'-0"	18'-2"	17'-4"	20'-2"	18'-9"	17'-10"	17'-2"	21'-2"	19'-8"	18'-9"	17'-7"
	14"	21'-9"	20'-1"	19'-2"	18'-2"	22'-10"	21'-1"	20'-1"	17'-7"	22'-5"	20'-9"	19'-10"	18'-10"	23'-6"	21'-10"	20'-10"	17'-7"
	16"	23'-7"	21'-10"	20'-10"	19'-9"	24'-9"	22'-4"	22'-11"	17'-7"	24'-4"	22'-7"	21'-6"	20'-6"	25'-6"	23'-8"	22'-0"	17'-7"
	18"	25'-4"	23'-5"	22'-3"	21'-1"	26'-8"	24'-8"	22'-0"	17'-6"	26'-1"	24'-2"	23'-1"	21'-11"	27'-6"	25'-6"	22'-0"	17'-6"
LPI 42Plus	9-1/2"	17'-11"	16'-10"	16'-3"	15'-7"	18'-9"	17'-5"	16'-9"	16'-1"	18'-4"	17'-2"	16'-7"	15'-10"	19'-3"	17'-10"	17'-2"	16'-4"
	11-7/8"	20'-9"	19'-2"	18'-3"	17'-5"	21'-9"	20'-1"	19'-1"	18'-1"	21'-3"	19'-8"	18'-9"	17'-10"	22'-4"	20'-8"	19'-8"	18'-8"
	14"	23'-0"	21'-3"	20'-3"	19'-2"	24'-2"	22'-4"	21'-3"	20'-1"	24'-4"	22'-7"	21'-6"	20'-10"	24'-10"	23'-0"	21'-11"	20'-9"
	16"	25'-1"	23'-2"	22'-1"	20'-11"	26'-4"	24'-4"	23'-2"	21'-11"	25'-9"	23'-10"	22'-9"	21'-6"	27'-1"	25'-1"	23'-10"	22'-7"
	18"	26'-8"	24'-8"	23'-6"	22'-3"	28'-2"	26'-0"	24'-9"	23'-5"	27'-5"	25'-5"	24'-3"	22'-11"	28'-11"	26'-9"	25'-6"	24'-2"
	20"	28'-6"	26'-4"	25'-1"	23'-9"	30'-1"	27'-9"	26'-5"	25'-0"	29'-4"	27'-2"	25'-11"	24'-6"	30'-11"	28'-8"	27'-4"	25'-10"
LPI 52Plus	11-7/8"	21'-3"	19'-8"	18'-9"	17'-10"	22'-4"	20'-7"	19'-8"	18'-7"	21'-9"	20'-2"	19'-3"	18'-3"	22'-10"	21'-2"	20'-2"	19'-1"
	14"	23'-8"	21'-10"	20'-9"	19'-8"	24'-10"	22'-11"	21'-10"	20'-8"	24'-2"	22'-5"	21'-4"	20'-3"	25'-5"	23'-6"	22'-5"	21'-3"
	16"	25'-9"	23'-9"	22'-7"	21'-5"	27'-0"	24'-11"	23'-9"	22'-5"	26'-4"	24'-5"	23'-3"	22'-0"	27'-8"	25'-7"	24'-5"	23'-1"
	18"	28'-1"	25'-10"	24'-7"	23'-3"	29'-7"	27'-3"	25'-11"	24'-6"	28'-9"	26'-7"	25'-3"	23'-11"	30'-3"	28'-0"	26'-8"	25'-3"
LPI 56	11-7/8"	21'-9"	20'-1"	19'-1"	18'-1"	22'-10"	21'-0"	20'-0"	18'-11"	22'-3"	20'-6"	19'-7"	18'-6"	23'-4"	21'-7"	20'-6"	19'-5"
	14"	24'-1"	22'-3"	21'-2"	20'-0"	25'-4"	23'-4"	22'-2"	21'-0"	24'-8"	22'-9"	21'-8"	20'-6"	25'-11"	23'-11"	22'-9"	21'-7"
	16"	26'-2"	24'-2"	22'-11"	21'-9"	27'-6"	25'-4"	24'-1"	22'-10"	26'-9"	24'-9"	23'-7"	22'-4"	28'-2"	26'-0"	24'-9"	23'-5"
	18"	28'-1"	25'-10"	24'-7"	23'-3"	29'-7"	27'-3"	25'-11"	24'-6"	28'-9"	26'-7"	25'-3"	23'-11"	30'-3"	28'-0"	26'-8"	25'-3"
24"	34'-0"	30'-10"	29'-4"	27'-8"	36'-7"	32'-10"	30'-11"	27'-11"	35'-1"	31'-8"	30'-2"	28'-6"	37'-9"	34'-1"	31'-11"	27'-11"	

NOTES:

1. Joist spans have been calculated in accordance with CSA O86 for the specified uniform floor loads listed. Concentrated load cases, where required, shall be evaluated by the designer.
2. The spans listed are the clear distance between supports. Continuous spans are based on the longest span. The shortest span shall not be less than 50% of the longest span. Refer to the Uplift Coefficients table below to determine the required uplift restraint for the end of the shorter span of continuous, unequal span joists.
3. Vibration has been checked in accordance with CCMC concluding report (dated September 4, 1997) with glued & nailed floor sheathing, with or without a direct attached 1/2" gypsum ceiling, as indicated in the table.
4. The floor sheathing shall be 1F24 rated OSB conforming to CSA O325 and shall be glued to the joists with an elastomeric adhesive conforming to CGSB Standard CAN-CGSB-71.26-M88.
5. Uniform load deflection is limited to the following: bare joist L/360 on live load and L/240 on total load. Long term deflection (creep) has not been considered. The designer shall evaluate live and total load deflection, and creep in the final design of the member.
6. The spans are based on an end bearing length of 1-3/4" for joists up to 16" deep and 2-1/2" for joists 18" and deeper. An interior bearing length of at least 3-1/2" is required. The spans are limited to the bearing resistance of an SPF wall plate.
7. Web stiffeners are not required for the spans in these tables except where **bold**. For spans in **bold**, web stiffeners shall be installed at all supports.
8. Web fillers are required for I-Joists seated in hangers that do not laterally support the top flange or for hangers that require nailing into the web.
9. Provide lateral support at points of bearing to prevent twisting of joists.
10. Use in dry service conditions only.
11. For conditions not covered or for additional information contact your LP® SolidStart® Engineered Wood Products distributor.

UPLIFT COEFFICIENTS											
Short span / Long span	0.50	0.55	0.60	0.65	0.70	0.75	0.80	0.85	0.90	0.95	1.00
Coefficient A	0.375	0.709	1.088	1.514	1.989	2.516	3.096	3.732	4.427	5.182	6.000
Coefficient B	6.00	6.82	7.68	8.58	9.52	10.5	11.52	12.58	13.68	14.82	16.00

NOTE:

For joists continuous over two or more spans, where the short span is at least 50% of the long span, the end of the short span shall be anchored to resist any uplift force as indicated by a negative value from the following:

$$\text{Factored Uplift Force (lb)} = L \cdot s \cdot (A \cdot D_f - L_f) / B$$

(A negative value represents uplift that must be restrained)

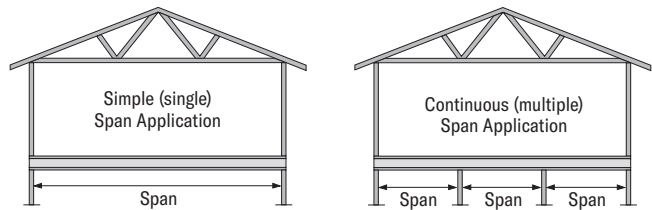
Where L = longest span (ft), s = joist spacing (ft), D_f = factored dead load (psf), L_f = factored live load (psf), A and B are coefficients given in the table

Floor Span Tables: 50 psf Live Load, 35 psf Dead Load, 23/32" OSB Sheathing

TO USE:

1. Select the appropriate table based on the floor system construction.
2. Select the Simple Span or Continuous Span section of the table, as required.
3. Find a span that meets or exceeds the required clear span.
4. Read the corresponding joist series, depth and spacing.

CAUTION: For floor systems that require both Simple Span and Continuous Span joists, it is a good idea to check both before selecting a joist. Some conditions are controlled by Continuous Span rather than Simple Span.



50 PSF LIVE LOAD, 35 PSF DEAD LOAD: 23/32" OSB SHEATHING, GLUED & NAILED																	
Series	Depth	No Direct Attached Ceiling								Direct Attached 1/2" Gypsum Ceiling							
		Maximum Simple Spans				Maximum Continuous Spans				Maximum Simple Spans			Maximum Continuous Spans				
		12" oc	16" oc	19.2" oc	24" oc	12" oc	16" oc	19.2" oc	24" oc	12" oc	16" oc	19.2" oc	24" oc	12" oc	16" oc	19.2" oc	24" oc
LPI 20Plus	9-1/2"	16'-1"	14'-8"	13'-10"	12'-5"	16'-10"	15'-1"	13'-9"	12'-4"	16'-1"	14'-8"	13'-10"	12'-5"	17'-4"	15'-1"	13'-9"	12'-4"
	11-7/8"	18'-4"	17'-3"	16'-1"	14'-4"	19'-3"	17'-6"	16'-0"	13'-2"	19'-0"	17'-6"	16'-1"	14'-4"	19'-11"	17'-6"	16'-0"	13'-2"
	14"	20'-6"	19'-0"	17'-5"	15'-6"	21'-5"	19'-0"	17'-4"	13'-11"	21'-2"	19'-1"	17'-5"	15'-6"	21'-11"	19'-0"	17'-4"	13'-11"
	16"	22'-4"	20'-5"	18'-8"	16'-8"	23'-5"	20'-4"	18'-4"	14'-7"	23'-1"	20'-5"	18'-8"	16'-8"	23'-6"	20'-4"	18'-4"	14'-7"
LPI 32Plus	9-1/2"	16'-9"	15'-5"	14'-7"	13'-6"	17'-4"	16'-4"	15'-1"	12'-5"	17'-0"	15'-5"	14'-7"	13'-6"	17'-9"	16'-6"	15'-1"	12'-5"
	11-7/8"	19'-0"	17'-8"	17'-0"	15'-5"	19'-11"	18'-5"	16'-6"	13'-2"	19'-7"	18'-2"	17'-3"	15'-5"	20'-7"	18'-10"	16'-6"	13'-2"
	14"	21'-1"	19'-7"	18'-8"	16'-11"	22'-2"	20'-6"	17'-5"	13'-11"	21'-9"	20'-3"	18'-11"	16'-11"	22'-10"	20'-8"	17'-5"	13'-11"
	16"	23'-0"	21'-3"	20'-3"	18'-3"	24'-1"	24'-1"	21'-4"	18'-4"	23'-8"	22'-0"	20'-5"	18'-3"	24'-11"	22'-4"	20'-8"	17'-5"
LPI 36	11-7/8"	19'-7"	18'-2"	17'-5"	16'-9"	20'-7"	19'-0"	18'-2"	15'-4"	20'-2"	18'-9"	17'-10"	16'-9"	21'-2"	19'-8"	18'-9"	15'-4"
	14"	21'-9"	20'-1"	19'-2"	18'-2"	22'-10"	21'-1"	19'-3"	15'-4"	22'-5"	20'-9"	19'-10"	18'-10"	23'-6"	21'-10"	19'-3"	15'-4"
	16"	23'-7"	21'-3"	20'-10"	19'-2"	24'-9"	22'-11"	19'-3"	15'-4"	24'-4"	22'-7"	21'-6"	19'-2"	25'-6"	23'-1"	19'-3"	15'-4"
	18"	25'-4"	23'-5"	22'-3"	21'-1"	26'-8"	23'-1"	19'-2"	15'-3"	26'-1"	24'-2"	23'-1"	21'-11"	27'-6"	23'-1"	19'-2"	15'-3"
LPI 42Plus	9-1/2"	17'-11"	16'-10"	16'-3"	15'-1"	18'-9"	17'-5"	16'-9"	14'-3"	18'-4"	17'-2"	16'-3"	15'-1"	19'-3"	17'-10"	17'-2"	14'-3"
	11-7/8"	20'-9"	19'-2"	18'-3"	17'-5"	21'-9"	20'-1"	19'-1"	17'-3"	21'-3"	19'-8"	18'-9"	17'-10"	22'-4"	20'-8"	19'-8"	17'-3"
	14"	23'-0"	21'-3"	20'-3"	19'-2"	24'-2"	22'-4"	21'-3"	18'-8"	23'-8"	21'-11"	20'-10"	19'-8"	24'-10"	23'-0"	21'-11"	18'-8"
	16"	25'-1"	23'-2"	22'-1"	20'-11"	26'-4"	24'-4"	23'-2"	19'-10"	25'-9"	23'-10"	22'-9"	21'-6"	27'-1"	25'-1"	23'-10"	19'-10"
	18"	26'-8"	24'-8"	23'-6"	22'-3"	28'-2"	26'-0"	24'-9"	22'-6"	27'-5"	25'-5"	24'-3"	22'-11"	28'-11"	26'-9"	25'-6"	22'-6"
LPI 52Plus	11-7/8"	21'-3"	19'-8"	18'-9"	17'-10"	22'-4"	20'-7"	19'-8"	18'-7"	21'-9"	20'-2"	19'-3"	18'-3"	22'-10"	21'-2"	20'-2"	19'-1"
	14"	23'-8"	21'-10"	20'-9"	19'-8"	24'-10"	22'-11"	21'-10"	20'-8"	24'-2"	22'-5"	21'-4"	20'-3"	25'-5"	23'-6"	22'-5"	21'-3"
	16"	25'-9"	23'-9"	22'-7"	21'-5"	27'-0"	24'-11"	23'-9"	22'-5"	26'-4"	24'-5"	23'-3"	22'-0"	27'-8"	25'-7"	24'-5"	23'-1"
	18"	28'-1"	25'-10"	24'-7"	23'-3"	29'-7"	27'-3"	25'-11"	23'-3"	28'-9"	26'-7"	25'-3"	23'-11"	30'-3"	28'-0"	26'-8"	23'-3"
	24"	34'-0"	30'-10"	29'-4"	27'-8"	36'-7"	32'-10"	30'-6"	24'-4"	35'-1"	31'-8"	30'-2"	28'-6"	37'-9"	34'-1"	30'-6"	24'-4"
LPI 56	11-7/8"	21'-9"	20'-1"	19'-1"	18'-1"	22'-10"	21'-0"	20'-0"	18'-11"	22'-3"	20'-6"	19'-7"	18'-6"	23'-4"	21'-7"	20'-6"	19'-5"
	14"	24'-1"	22'-3"	21'-2"	20'-0"	25'-4"	23'-4"	22'-2"	21'-0"	24'-8"	22'-9"	21'-8"	20'-6"	25'-11"	23'-11"	22'-9"	21'-4"
	16"	26'-2"	24'-2"	22'-11"	21'-9"	27'-6"	25'-4"	24'-1"	22'-4"	26'-9"	24'-9"	23'-7"	22'-4"	28'-2"	26'-0"	24'-9"	22'-4"
	18"	28'-1"	25'-10"	24'-7"	23'-3"	29'-7"	27'-3"	25'-11"	23'-3"	28'-9"	26'-7"	25'-3"	23'-11"	30'-3"	28'-0"	26'-8"	23'-3"

NOTES:

1. Joist spans have been calculated in accordance with CSA O86 for the specified uniform floor loads listed. Concentrated load cases, where required, shall be evaluated by the designer.
2. The spans listed are the clear distance between supports. Continuous spans are based on the longest span. The shortest span shall not be less than 50% of the longest span. Refer to the Uplift Coefficients table below to determine the required uplift restraint for the end of the shorter span of continuous, unequal span joists.
3. Vibration has been checked in accordance with CCMC concluding report (dated September 4, 1997) with glued & nailed floor sheathing, with or without a direct attached 1/2" gypsum ceiling, as indicated in the table.
4. The floor sheathing shall be 1F24 rated OSB conforming to CSA O325 and shall be glued to the joists with an elastomeric adhesive conforming to CGSB Standard CAN-CGSB-71.26-M88.
5. Uniform load deflection is limited to the following: L/480 on live load and L/240 on total load based on composite action with the glued floor sheathing. Long term deflection (creep) has not been considered. The designer shall evaluate live and total load deflection, and creep in the final design of the member.
6. The spans are based on an end bearing length of 1-3/4" for joists up to 16" deep and 2-1/2" for joists 18" and deeper. An interior bearing length of at least 3-1/2" is required. The spans are limited to the bearing resistance of an SPF wall plate.
7. Web stiffeners are not required for the spans in these tables except where **bold**. For spans in **bold**, web stiffeners shall be installed at all supports.
8. Web fillers are required for I-Joists seated in hangers that do not laterally support the top flange or for hangers that require nailing into the web.
9. Provide lateral support at points of bearing to prevent twisting of joists.
10. Use in dry service conditions only.
11. For conditions not covered or for additional information contact your LP® SolidStart® Engineered Wood Products distributor.

UPLIFT COEFFICIENTS											
Short span / Long span	0.50	0.55	0.60	0.65	0.70	0.75	0.80	0.85	0.90	0.95	1.00
Coefficient A	0.375	0.709	1.088	1.514	1.989	2.516	3.096	3.732	4.427	5.182	6.000
Coefficient B	6.00	6.82	7.68	8.58	9.52	10.5	11.52	12.58	13.68	14.82	16.00

NOTE:

For joists continuous over two or more spans, where the short span is at least 50% of the long span, the end of the short span shall be anchored to resist any uplift force as indicated by a negative value from the following:

$$\text{Factored Uplift Force (lb)} = L \cdot s \cdot (A \cdot D_f - L_f) / B \text{ (a negative value represents uplift that must be restrained)}$$

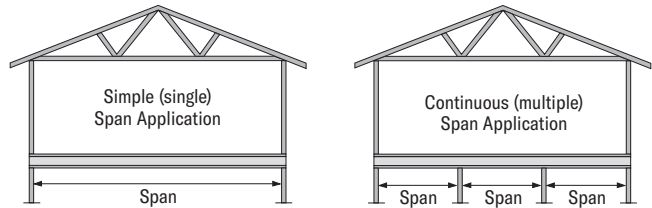
Where L = longest span (ft), s = joist spacing (ft), D_f = factored dead load (psf), L_f = factored live load (psf), A and B are coefficients given in the table

Floor Span Tables: 50 psf Live Load, 45 psf Dead Load, 23/32" OSB Sheathing

TO USE:

1. Select the appropriate table based on the floor system construction.
2. Select the Simple Span or Continuous Span section of the table, as required.
3. Find a span that meets or exceeds the required clear span.
4. Read the corresponding joist series, depth and spacing.

CAUTION: For floor systems that require both Simple Span and Continuous Span joists, it is a good idea to check both before selecting a joist. Some conditions are controlled by Continuous Span rather than Simple Span.



50 PSF LIVE LOAD, 45 PSF DEAD LOAD: 23/32" OSB SHEATHING, GLUED & NAILED																	
Series	Depth	No Direct Attached Ceiling								Direct Attached 1/2" Gypsum Ceiling							
		Maximum Simple Spans				Maximum Continuous Spans				Maximum Simple Spans			Maximum Continuous Spans				
		12" oc	16" oc	19.2" oc	24" oc	12" oc	16" oc	19.2" oc	24" oc	12" oc	16" oc	19.2" oc	24" oc	12" oc	16" oc	19.2" oc	24" oc
LPI 20Plus	9-1/2"	16'-1"	14'-5"	13'-2"	11'-9"	16'-7"	14'-4"	13'-1"	11'-2"	16'-1"	14'-5"	13'-2"	11'-9"	16'-7"	14'-4"	13'-1"	11'-2"
	11-7/8"	18'-4"	16'-9"	15'-3"	13'-8"	19'-3"	16'-8"	14'-11"	11'-11"	19'-0"	16'-9"	15'-3"	13'-8"	19'-3"	16'-8"	14'-11"	11'-11"
	14"	20'-6"	18'-2"	16'-6"	14'-9"	20'-10"	18'-1"	15'-9"	12'-7"	20'-11"	18'-2"	16'-6"	14'-9"	20'-10"	18'-1"	15'-9"	12'-7"
	16"	22'-4"	19'-5"	17'-9"	15'-10"	22'-5"	19'-4"	16'-7"	13'-2"	22'-6"	19'-5"	17'-9"	15'-10"	22'-5"	19'-4"	16'-7"	13'-2"
LPI 32Plus	9-1/2"	16'-9"	15'-5"	14'-5"	12'-10"	17'-4"	15'-8"	14'-0"	11'-2"	17'-0"	15'-5"	14'-5"	12'-10"	17'-9"	15'-8"	14'-0"	11'-2"
	11-7/8"	19'-0"	17'-8"	16'-5"	14'-8"	19'-11"	17'-11"	14'-11"	11'-11"	19'-7"	18'-0"	16'-5"	14'-8"	20'-7"	17'-11"	14'-11"	11'-11"
	14"	21'-1"	19'-7"	18'-0"	16'-1"	22'-2"	19'-0"	15'-9"	12'-7"	21'-9"	19'-9"	18'-0"	16'-1"	22'-9"	19'-0"	15'-9"	12'-7"
	16"	23'-0"	21'-3"	19'-5"	17'-4"	24'-1"	21'-11"	16'-7"	13'-2"	23'-8"	21'-3"	19'-5"	17'-4"	24'-6"	19'-11"	16'-7"	13'-2"
LPI 36	11-7/8"	19'-7"	18'-2"	17'-5"	16'-9"	20'-7"	19'-0"	17'-4"	13'-10"	20'-2"	18'-9"	17'-10"	16'-9"	21'-2"	19'-8"	17'-4"	13'-10"
	14"	21'-9"	20'-1"	19'-2"	17'-3"	22'-10"	20'-11"	17'-4"	13'-10"	22'-5"	20'-9"	19'-10"	17'-3"	23'-6"	20'-11"	17'-4"	13'-10"
	16"	23'-7"	21'-3"	20'-10"	17'-3"	24'-9"	20'-11"	17'-4"	13'-10"	24'-4"	22'-7"	21'-6"	17'-3"	25'-6"	20'-11"	17'-4"	13'-10"
	18"	25'-4"	23'-5"	22'-3"	21'-1"	26'-8"	20'-10"	17'-4"	13'-10"	26'-1"	24'-2"	23'-1"	21'-2"	27'-6"	20'-10"	17'-4"	13'-10"
LPI 42Plus	9-1/2"	17'-11"	16'-10"	16'-3"	15'-1"	18'-9"	17'-5"	16'-1"	12'-10"	18'-4"	17'-2"	16'-3"	15'-1"	19'-3"	17'-10"	16'-1"	12'-10"
	11-7/8"	20'-9"	19'-2"	18'-3"	17'-5"	21'-9"	20'-1"	19'-1"	15'-7"	21'-3"	19'-8"	18'-9"	17'-10"	22'-4"	20'-8"	19'-6"	15'-7"
	14"	23'-0"	21'-3"	20'-3"	19'-2"	24'-2"	22'-4"	21'-2"	16'-11"	23'-8"	21'-11"	20'-10"	19'-10"	24'-10"	23'-0"	21'-2"	16'-11"
	16"	25'-1"	23'-2"	22'-1"	20'-11"	26'-4"	24'-4"	22'-5"	17'-11"	25'-9"	23'-10"	22'-9"	21'-6"	27'-1"	25'-1"	22'-5"	17'-11"
	18"	26'-8"	24'-8"	23'-6"	22'-3"	28'-2"	26'-0"	24'-9"	20'-4"	27'-5"	25'-5"	24'-3"	22'-11"	28'-11"	26'-9"	25'-6"	20'-4"
LPI 52Plus	11-7/8"	21'-3"	19'-8"	18'-9"	17'-10"	22'-4"	20'-7"	19'-8"	18'-7"	21'-9"	20'-2"	19'-3"	18'-3"	22'-10"	21'-2"	20'-2"	19'-0"
	14"	23'-8"	21'-10"	20'-9"	19'-8"	24'-10"	22'-11"	21'-10"	20'-3"	24'-2"	22'-5"	21'-4"	20'-3"	25'-5"	23'-6"	22'-5"	20'-3"
	16"	25'-9"	23'-9"	22'-7"	21'-5"	27'-0"	24'-11"	23'-9"	21'-1"	26'-4"	24'-5"	23'-3"	22'-0"	27'-8"	25'-7"	24'-5"	21'-1"
	18"	28'-1"	25'-10"	24'-7"	23'-3"	29'-7"	27'-3"	25'-11"	21'-1"	28'-9"	26'-7"	25'-3"	23'-11"	30'-3"	28'-0"	26'-5"	21'-1"
LPI 56	11-7/8"	21'-9"	20'-1"	19'-1"	18'-1"	22'-10"	21'-0"	20'-0"	18'-4"	22'-3"	20'-6"	19'-7"	18'-6"	23'-4"	21'-7"	20'-6"	18'-4"
	14"	24'-1"	22'-3"	21'-2"	20'-0"	25'-4"	23'-4"	22'-2"	19'-3"	24'-8"	22'-9"	21'-8"	20'-6"	25'-11"	23'-11"	22'-9"	19'-3"
	16"	26'-2"	24'-2"	22'-11"	21'-9"	27'-6"	25'-4"	24'-1"	20'-2"	26'-9"	24'-9"	23'-7"	22'-4"	28'-2"	26'-0"	24'-9"	20'-2"
	18"	28'-1"	25'-10"	24'-7"	23'-3"	29'-7"	27'-3"	25'-11"	21'-1"	28'-9"	26'-7"	25'-3"	23'-11"	30'-3"	28'-0"	26'-5"	21'-1"
24"	34'-0"	30'-10"	29'-4"	27'-8"	36'-7"	32'-10"	27'-7"	22'-0"	35'-1"	31'-8"	30'-2"	28'-6"	37'-9"	33'-2"	27'-7"	22'-0"	

NOTES:

1. Joist spans have been calculated in accordance with CSA O86 for the specified uniform floor loads listed. Concentrated load cases, where required, shall be evaluated by the designer.
2. The spans listed are the clear distance between supports. Continuous spans are based on the longest span. The shortest span shall not be less than 50% of the longest span. Refer to the Uplift Coefficients table below to determine the required uplift restraint for the end of the shorter span of continuous, unequal span joists.
3. Vibration has been checked in accordance with CCMC concluding report (dated September 4, 1997) with glued & nailed floor sheathing, with or without a direct attached 1/2" gypsum ceiling, as indicated in the table.
4. The floor sheathing shall be 1F24 rated OSB conforming to CSA O325 and shall be glued to the joists with an elastomeric adhesive conforming to CGSB Standard CAN-CGSB-71.26-M88.
5. Uniform load deflection is limited to the following: L/480 on live load and L/240 on total load based on composite action with the glued floor sheathing. Long term deflection (creep) has not been considered. The designer shall evaluate live and total load deflection, and creep in the final design of the member.
6. The spans are based on an end bearing length of 1-3/4" for joists up to 16" deep and 2-1/2" for joists 18" and deeper. An interior bearing length of at least 3-1/2" is required. The spans are limited to the bearing resistance of an SPF wall plate.
7. Web stiffeners are not required for the spans in these tables except where **bold**. For spans in **bold**, web stiffeners shall be installed at all supports.
8. Web fillers are required for I-Joists seated in hangers that do not laterally support the top flange or for hangers that require nailing into the web.
9. Provide lateral support at points of bearing to prevent twisting of joists.
10. Use in dry service conditions only.
11. For conditions not covered or for additional information contact your LP® SolidStart® Engineered Wood Products distributor.

UPLIFT COEFFICIENTS											
Short span / Long span	0.50	0.55	0.60	0.65	0.70	0.75	0.80	0.85	0.90	0.95	1.00
Coefficient A	0.375	0.709	1.088	1.514	1.989	2.516	3.096	3.732	4.427	5.182	6.000
Coefficient B	6.00	6.82	7.68	8.58	9.52	10.5	11.52	12.58	13.68	14.82	16.00

NOTE:

For joists continuous over two or more spans, where the short span is at least 50% of the long span, the end of the short span shall be anchored to resist any uplift force as indicated by a negative value from the following:

$$\text{Factored Uplift Force (lb)} = L \cdot s \cdot (A \cdot D_f - L_f) / B \text{ (a negative value represents uplift that must be restrained)}$$

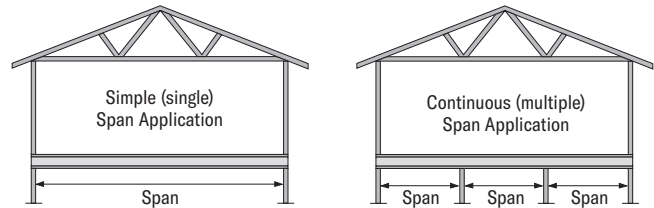
Where L = longest span (ft), s = joist spacing (ft), D_f = factored dead load (psf), L_f = factored live load (psf), A and B are coefficients given in the table

Floor Span Tables: 100 psf Live Load, 35 psf Dead Load, 23/32" OSB Sheathing

TO USE:

1. Select the appropriate table based on the floor system construction.
2. Select the Simple Span or Continuous Span section of the table, as required.
3. Find a span that meets or exceeds the required clear span.
4. Read the corresponding joist series, depth and spacing.

CAUTION: For floor systems that require both Simple Span and Continuous Span joists, it is a good idea to check both before selecting a joist. Some conditions are controlled by Continuous Span rather than Simple Span.



100 PSF LIVE LOAD, 35 PSF DEAD LOAD: 23/32" OSB SHEATHING, GLUED & NAILED													
Series	Depth	No Direct Attached Ceiling						Direct Attached 1/2" Gypsum Ceiling					
		Maximum Simple Spans			Maximum Continuous Spans			Maximum Simple Spans			Maximum Continuous Spans		
		12" oc	16" oc	19.2" oc	12" oc	16" oc	19.2" oc	12" oc	16" oc	19.2" oc	12" oc	16" oc	19.2" oc
LPI 20Plus	9'-1/2"	12'-6"	11'-4"	10'-8"	13'-7"	11'-4"	9'-5"	12'-6"	11'-4"	10'-8"	13'-7"	11'-4"	9'-5"
	11'-7/8"	15'-0"	13'-7"	12'-6"	15'-10"	12'-1"	10'-0"	15'-0"	13'-7"	12'-6"	15'-10"	12'-1"	10'-0"
	14"	17'-1"	14'-11"	13'-7"	17'-1"	12'-9"	10'-7"	17'-1"	14'-11"	13'-7"	17'-1"	12'-9"	10'-7"
	16"	18'-5"	16'-0"	14'-7"	18'-0"	13'-5"	11'-2"	18'-5"	16'-0"	14'-7"	18'-0"	13'-5"	11'-2"
LPI 32Plus	9'-1/2"	13'-2"	11'-11"	11'-2"	14'-3"	11'-4"	9'-5"	13'-2"	11'-11"	11'-2"	14'-3"	11'-4"	9'-5"
	11'-7/8"	15'-8"	14'-3"	12'-10"	16'-2"	12'-1"	10'-0"	15'-8"	14'-3"	12'-10"	16'-2"	12'-1"	10'-0"
	14"	17'-10"	16'-2"	14'-2"	17'-1"	12'-9"	10'-7"	17'-10"	16'-2"	14'-2"	17'-1"	12'-9"	10'-7"
	16"	19'-9"	17'-6"	15'-3"	18'-0"	13'-5"	11'-2"	19'-9"	17'-6"	15'-3"	18'-0"	13'-5"	11'-2"
LPI 36	11'-7/8"	16'-5"	14'-10"	13'-11"	17'-9"	14'-1"	11'-8"	16'-5"	14'-10"	13'-11"	17'-9"	14'-1"	11'-8"
	14"	18'-7"	16'-10"	14'-7"	18'-10"	14'-1"	11'-8"	18'-7"	16'-10"	14'-7"	18'-10"	14'-1"	11'-8"
	16"	20'-6"	17'-7"	14'-7"	18'-10"	14'-1"	11'-8"	20'-6"	17'-7"	14'-7"	18'-10"	14'-1"	11'-8"
	18"	22'-4"	20'-2"	17'-10"	18'-10"	14'-0"	11'-8"	22'-4"	20'-2"	17'-10"	18'-10"	14'-0"	11'-8"
LPI 42Plus	9'-1/2"	14'-9"	13'-4"	12'-6"	16'-0"	13'-1"	10'-11"	14'-9"	13'-4"	12'-6"	16'-0"	13'-1"	10'-11"
	11'-7/8"	17'-8"	16'-0"	15'-0"	19'-2"	15'-10"	13'-3"	17'-8"	16'-0"	15'-0"	19'-2"	15'-10"	13'-3"
	14"	20'-1"	18'-2"	16'-9"	21'-10"	17'-2"	14'-3"	20'-1"	18'-2"	16'-9"	21'-10"	17'-2"	14'-3"
	16"	22'-4"	20'-2"	18'-4"	24'-3"	18'-2"	15'-2"	22'-4"	20'-2"	18'-4"	24'-3"	18'-2"	15'-2"
	18"	24'-1"	21'-10"	20'-6"	26'-2"	20'-8"	17'-2"	24'-1"	21'-10"	20'-6"	26'-2"	20'-8"	17'-2"
	20"	26'-1"	23'-7"	22'-2"	28'-5"	21'-3"	17'-8"	26'-1"	23'-7"	22'-2"	28'-5"	21'-3"	17'-8"
LPI 52Plus	11'-7/8"	18'-4"	16'-7"	15'-7"	19'-11"	18'-0"	16'-1"	18'-4"	16'-7"	15'-7"	19'-11"	18'-0"	16'-1"
	14"	20'-10"	18'-10"	17'-9"	22'-8"	20'-6"	17'-1"	20'-10"	18'-10"	17'-9"	22'-8"	20'-6"	17'-1"
	16"	23'-1"	20'-11"	19'-7"	25'-1"	21'-5"	17'-9"	23'-1"	20'-11"	19'-7"	25'-1"	21'-5"	17'-9"
	18"	25'-8"	23'-2"	21'-9"	27'-11"	21'-5"	17'-9"	25'-8"	23'-2"	21'-9"	27'-11"	21'-5"	17'-9"
LPI 56	11'-7/8"	18'-10"	17'-0"	15'-11"	20'-5"	18'-5"	15'-6"	18'-10"	17'-0"	15'-11"	20'-5"	18'-5"	15'-6"
	14"	21'-4"	19'-3"	18'-1"	23'-2"	19'-7"	16'-3"	21'-4"	19'-3"	18'-1"	23'-2"	19'-7"	16'-3"
	16"	23'-7"	21'-4"	19'-2"	25'-7"	20'-6"	17'-0"	23'-7"	21'-4"	19'-2"	25'-7"	20'-6"	17'-0"
	18"	25'-8"	23'-2"	21'-9"	27'-11"	21'-5"	17'-9"	25'-8"	23'-2"	21'-9"	27'-11"	21'-5"	17'-9"

NOTES:

1. Joist spans have been calculated in accordance with CSA O86 for the specified uniform floor loads listed. Concentrated load cases, where required, shall be evaluated by the designer.
2. The spans listed are the clear distance between supports. Continuous spans are based on the longest span. The shortest span shall not be less than 50% of the longest span. Refer to the Uplift Coefficients table below to determine the required uplift restraint for the end of the shorter span of continuous, unequal span joists.
3. Vibration has been checked in accordance with CCMC concluding report (dated September 4, 1997) with glued & nailed floor sheathing, with or without a direct attached 1/2" gypsum ceiling, as indicated in the table.
4. The floor sheathing shall be 1F24 rated OSB conforming to CSA O325 and shall be glued to the joists with an elastomeric adhesive conforming to CGSB Standard CAN-CGSB-71.26-M88.
5. Uniform load deflection is limited to the following: L/480 on live load and L/240 on total load based on composite action with the glued floor sheathing. Long term deflection (creep) has not been considered. The designer shall evaluate live and total load deflection, and creep in the final design of the member.
6. The spans are based on an end bearing length of 1-3/4" for joists up to 16" deep and 2-1/2" for joists 18" and deeper. An interior bearing length of at least 3-1/2" is required. The spans are limited to the bearing resistance of an SPF wall plate.
7. Web stiffeners are not required for the spans in these tables except where **bold**. For spans in **bold**, web stiffeners shall be installed at all supports.
8. Web fillers are required for I-Joists seated in hangers that do not laterally support the top flange or for hangers that require nailing into the web.
9. Provide lateral support at points of bearing to prevent twisting of joists.
10. Use in dry service conditions only.
11. For conditions not covered or for additional information contact your LP® SolidStar® Engineered Wood Products distributor.

UPLIFT COEFFICIENTS												
Short span / Long span	0.50	0.55	0.60	0.65	0.70	0.75	0.80	0.85	0.90	0.95	1.00	
Coefficient A	0.375	0.709	1.088	1.514	1.989	2.516	3.096	3.732	4.427	5.182	6.000	
Coefficient B	6.00	6.82	7.68	8.58	9.52	10.5	11.52	12.58	13.68	14.82	16.00	

NOTE:

For joists continuous over two or more spans, where the short span is at least 50% of the long span, the end of the short span shall be anchored to resist any uplift force as indicated by a negative value from the following:

$$\text{Factored Uplift Force (lb)} = L \cdot s \cdot (A \cdot D_f - L_f) / B \text{ (a negative value represents uplift that must be restrained)}$$

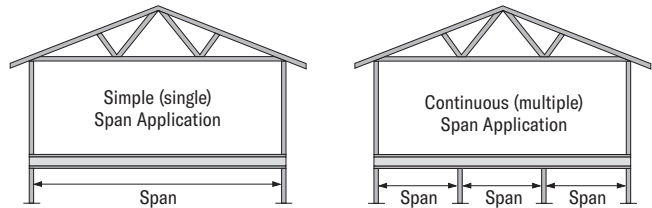
Where L = longest span (ft), s = joist spacing (ft), D_f = factored dead load (psf), L_f = factored live load (psf), A and B are coefficients given in the table

Floor Span Tables: 100 psf Live Load, 45 psf Dead Load, 23/32" OSB Sheathing

TO USE:

1. Select the appropriate table based on the floor system construction.
2. Select the Simple Span or Continuous Span section of the table, as required.
3. Find a span that meets or exceeds the required clear span.
4. Read the corresponding joist series, depth and spacing.

CAUTION: For floor systems that require both Simple Span and Continuous Span joists, it is a good idea to check both before selecting a joist. Some conditions are controlled by Continuous Span rather than Simple Span.



100 PSF LIVE LOAD, 45 PSF DEAD LOAD: 23/32" OSB SHEATHING, GLUED & NAILED													
Series	Depth	No Direct Attached Ceiling						Direct Attached 1/2" Gypsum Ceiling					
		Maximum Simple Spans			Maximum Continuous Spans			Maximum Simple Spans			Maximum Continuous Spans		
		12" oc	16" oc	19.2" oc	12" oc	16" oc	19.2" oc	12" oc	16" oc	19.2" oc	12" oc	16" oc	19.2" oc
LPI 20Plus	9-1/2"	12'-6"	11'-4"	10'-6"	13'-3"	10'-8"	8'-10"	12'-6"	11'-4"	10'-6"	13'-3"	10'-8"	8'-10"
	11-7/8"	15'-0"	13'-4"	12'-1"	15'-3"	11'-4"	9'-5"	15'-0"	13'-4"	12'-1"	15'-3"	11'-4"	9'-5"
	14"	16'-8"	14'-5"	13'-2"	16'-1"	12'-0"	9'-11"	16'-8"	14'-5"	13'-2"	16'-1"	12'-0"	9'-11"
	16"	17'-11"	15'-6"	14'-1"	16'-10"	12'-7"	10'-5"	17'-11"	15'-6"	14'-1"	16'-10"	12'-7"	10'-5"
LPI 32Plus	9-1/2"	13'-2"	11'-11"	10'-8"	14'-3"	10'-8"	8'-10"	13'-2"	11'-11"	10'-8"	14'-3"	10'-8"	8'-10"
	11-7/8"	15'-8"	14'-3"	12'-1"	15'-3"	11'-4"	9'-5"	15'-8"	14'-3"	12'-1"	15'-3"	11'-4"	9'-5"
	14"	17'-10"	15'-9"	13'-3"	16'-1"	12'-0"	9'-11"	17'-10"	15'-9"	13'-3"	16'-1"	12'-0"	9'-11"
	16"	19'-7"	16'-11"	14'-4"	16'-10"	12'-7"	10'-5"	19'-7"	16'-11"	14'-4"	16'-10"	12'-7"	10'-5"
LPI 36	11-7/8"	16'-5"	14'-10"	13'-8"	17'-8"	13'-2"	10'-11"	16'-5"	14'-10"	13'-8"	17'-8"	13'-2"	10'-11"
	14"	18'-7"	16'-6"	13'-8"	17'-8"	13'-2"	10'-11"	18'-7"	16'-6"	13'-8"	17'-8"	13'-2"	10'-11"
	16"	20'-6"	16'-6"	13'-8"	17'-8"	13'-2"	10'-11"	20'-6"	16'-6"	13'-8"	17'-8"	13'-2"	10'-11"
	18"	22'-4"	20'-2"	16'-9"	17'-8"	13'-2"	10'-11"	22'-4"	20'-2"	16'-9"	17'-8"	13'-2"	10'-11"
LPI 42Plus	9-1/2"	14'-9"	13'-4"	12'-6"	16'-0"	12'-3"	10'-3"	14'-9"	13'-4"	12'-6"	16'-0"	12'-3"	10'-3"
	11-7/8"	17'-8"	16'-0"	14'-3"	19'-2"	14'-11"	12'-5"	17'-8"	16'-0"	14'-3"	19'-2"	14'-11"	12'-5"
	14"	20'-1"	18'-2"	15'-9"	21'-7"	16'-1"	13'-5"	20'-1"	18'-2"	15'-9"	21'-7"	16'-1"	13'-5"
	16"	22'-4"	20'-2"	17'-2"	22'-10"	17'-1"	14'-2"	22'-4"	20'-2"	17'-2"	22'-10"	17'-1"	14'-2"
	18"	24'-1"	21'-10"	20'-6"	25'-11"	19'-5"	16'-1"	24'-1"	21'-10"	20'-6"	25'-11"	19'-5"	16'-1"
LPI 52Plus	11-7/8"	18'-4"	16'-7"	15'-7"	19'-11"	18'-0"	15'-1"	18'-4"	16'-7"	15'-7"	19'-11"	18'-0"	15'-1"
	14"	20'-10"	18'-10"	17'-9"	22'-8"	19'-4"	16'-1"	20'-10"	18'-10"	17'-9"	22'-8"	19'-4"	16'-1"
	16"	23'-1"	20'-11"	19'-7"	25'-1"	20'-1"	16'-8"	23'-1"	20'-11"	19'-7"	25'-1"	20'-1"	16'-8"
	18"	25'-8"	23'-2"	21'-6"	26'-10"	20'-1"	16'-8"	25'-8"	23'-2"	21'-6"	26'-10"	20'-1"	16'-8"
LPI 56	11-7/8"	18'-10"	17'-0"	15'-11"	20'-5"	17'-6"	14'-6"	18'-10"	17'-0"	15'-11"	20'-5"	17'-6"	14'-6"
	14"	21'-4"	19'-3"	17'-0"	23'-2"	18'-4"	15'-3"	21'-4"	19'-3"	17'-0"	23'-2"	18'-4"	15'-3"
	16"	23'-7"	21'-4"	18'-0"	25'-7"	19'-3"	16'-0"	23'-7"	21'-4"	18'-0"	25'-7"	19'-3"	16'-0"
	18"	25'-8"	23'-2"	21'-6"	26'-10"	20'-1"	16'-8"	25'-8"	23'-2"	21'-6"	26'-10"	20'-1"	16'-8"
24"	31'-8"	28'-8"	26'-0"	28'-1"	21'-0"	17'-5"	31'-8"	28'-8"	26'-0"	28'-1"	21'-0"	17'-5"	

NOTES:

1. Joist spans have been calculated in accordance with CSA O86 for the specified uniform floor loads listed. Concentrated load cases, where required, shall be evaluated by the designer.
2. The spans listed are the clear distance between supports. Continuous spans are based on the longest span. The shortest span shall not be less than 50% of the longest span. Refer to the Uplift Coefficients table below to determine the required uplift restraint for the end of the shorter span of continuous, unequal span joists.
3. Vibration has been checked in accordance with CCMC concluding report (dated September 4, 1997) with glued & nailed floor sheathing, with or without a direct attached 1/2" gypsum ceiling, as indicated in the table.
4. The floor sheathing shall be 1F24 rated OSB conforming to CSA O325 and shall be glued to the joists with an elastomeric adhesive conforming to CGSB Standard CAN-CGSB-71.26-M88.
5. Uniform load deflection is limited to the following: L/480 on live load and L/240 on total load based on composite action with the glued floor sheathing. Long term deflection (creep) has not been considered. The designer shall evaluate live and total load deflection, and creep in the final design of the member.
6. The spans are based on an end bearing length of 1-3/4" for joists up to 16" deep and 2-1/2" for joists 18" and deeper. An interior bearing length of at least 3-1/2" is required. The spans are limited to the bearing resistance of an SPF wall plate.
7. Web stiffeners are not required for the spans in these tables except where **bold**. For spans in **bold**, web stiffeners shall be installed at all supports.
8. Web fillers are required for I-Joists seated in hangers that do not laterally support the top flange or for hangers that require nailing into the web.
9. Provide lateral support at points of bearing to prevent twisting of joists.
10. Use in dry service conditions only.
11. For conditions not covered or for additional information contact your LP® SolidStar® Engineered Wood Products distributor.

UPLIFT COEFFICIENTS												
Short span / Long span	0.50	0.55	0.60	0.65	0.70	0.75	0.80	0.85	0.90	0.95	1.00	
Coefficient A	0.375	0.709	1.088	1.514	1.989	2.516	3.096	3.732	4.427	5.182	6.000	
Coefficient B	6.00	6.82	7.68	8.58	9.52	10.5	11.52	12.58	13.68	14.82	16.00	

NOTE:

For joists continuous over two or more spans, where the short span is at least 50% of the long span, the end of the short span shall be anchored to resist any uplift force as indicated by a negative value from the following:

$$\text{Factored Uplift Force (lb)} = L \cdot s \cdot (A \cdot D_f - L_f) / B \text{ (a negative value represents uplift that must be restrained)}$$

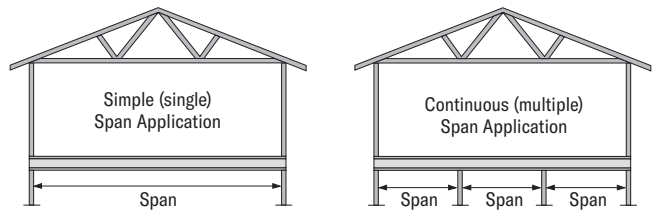
Where L = longest span (ft), s = joist spacing (ft), D_f = factored dead load (psf), L_f = factored live load (psf), A and B are coefficients given in the table

Floor Span Tables: 50 psf Live Load, 35 psf Dead Load, 7/8" OSB Sheathing

TO USE:

1. Select the appropriate table based on the floor system construction.
2. Select the Simple Span or Continuous Span section of the table, as required.
3. Find a span that meets or exceeds the required clear span.
4. Read the corresponding joist series, depth and spacing.

CAUTION: For floor systems that require both Simple Span and Continuous Span joists, it is a good idea to check both before selecting a joist. Some conditions are controlled by Continuous Span rather than Simple Span.



50 PSF LIVE LOAD, 35 PSF DEAD LOAD: 7/8" OSB SHEATHING, GLUED & NAILED																	
Series	Depth	No Direct Attached Ceiling								Direct Attached 1/2" Gypsum Ceiling							
		Maximum Simple Spans				Maximum Continuous Spans				Maximum Simple Spans				Maximum Continuous Spans			
		12" oc	16" oc	19.2" oc	24" oc	12" oc	16" oc	19.2" oc	24" oc	12" oc	16" oc	19.2" oc	24" oc	12" oc	16" oc	19.2" oc	24" oc
LPI 20Plus	9-1/2"	16'-3"	14'-10"	13'-10"	12'-5"	17'-6"	15'-1"	13'-9"	12'-4"	16'-3"	14'-10"	13'-10"	12'-5"	17'-6"	15'-1"	13'-9"	12'-4"
	11-7/8"	19'-5"	17'-7"	16'-3"	14'-4"	20'-3"	17'-6"	16'-0"	13'-2"	19'-5"	17'-7"	16'-1"	14'-4"	20'-3"	17'-6"	16'-0"	13'-2"
	14"	21'-11"	19'-1"	17'-5"	15'-6"	21'-11"	19'-0"	17'-4"	13'-11"	22'-0"	19'-1"	17'-5"	15'-6"	21'-11"	19'-0"	17'-4"	13'-11"
	16"	23'-7"	20'-5"	18'-8"	16'-8"	23'-6"	20'-4"	18'-4"	14'-7"	23'-7"	20'-5"	18'-8"	16'-8"	23'-6"	20'-4"	18'-4"	14'-7"
LPI 32Plus	9-1/2"	17'-2"	15'-7"	14'-9"	13'-6"	18'-6"	16'-6"	15'-1"	12'-5"	17'-2"	15'-7"	14'-9"	13'-6"	18'-7"	16'-6"	15'-1"	12'-5"
	11-7/8"	20'-5"	18'-7"	17'-3"	15'-5"	21'-4"	18'-10"	16'-6"	13'-2"	20'-5"	18'-7"	17'-3"	15'-5"	21'-9"	18'-10"	16'-6"	13'-2"
	14"	22'-7"	20'-9"	18'-11"	16'-11"	23'-9"	20'-8"	17'-5"	13'-11"	23'-1"	20'-9"	18'-11"	16'-11"	23'-11"	20'-8"	17'-5"	13'-11"
	16"	24'-7"	22'-5"	20'-5"	18'-3"	25'-9"	22'-0"	18'-4"	14'-7"	25'-4"	22'-5"	20'-5"	18'-3"	25'-9"	22'-0"	18'-4"	14'-7"
LPI 36	11-7/8"	21'-6"	19'-4"	18'-3"	16'-11"	22'-0"	20'-5"	19'-3"	15'-4"	21'-3"	19'-4"	18'-3"	16'-11"	22'-7"	21'-0"	19'-3"	15'-4"
	14"	23'-3"	21'-7"	20'-7"	19'-2"	24'-5"	22'-8"	19'-3"	15'-4"	23'-11"	21'-11"	20'-7"	19'-2"	25'-1"	23'-1"	19'-3"	15'-4"
	16"	25'-3"	23'-5"	22'-3"	19'-2"	26'-6"	23'-1"	19'-3"	15'-4"	25'-11"	24'-2"	22'-9"	19'-2"	27'-3"	23'-1"	19'-3"	15'-4"
	18"	27'-1"	25'-1"	23'-10"	22'-6"	28'-6"	23'-1"	19'-2"	15'-3"	27'-10"	25'-11"	24'-8"	23'-0"	29'-4"	23'-1"	19'-2"	15'-3"
LPI 42Plus	9-1/2"	19'-2"	17'-5"	16'-5"	15'-3"	20'-1"	18'-8"	17'-9"	14'-3"	19'-2"	17'-5"	16'-5"	15'-3"	20'-7"	18'-11"	17'-10"	14'-3"
	11-7/8"	22'-2"	20'-6"	19'-6"	18'-2"	23'-3"	21'-6"	20'-6"	17'-3"	22'-8"	20'-10"	19'-7"	18'-2"	23'-10"	22'-1"	21'-0"	17'-3"
	14"	24'-8"	22'-10"	21'-8"	20'-5"	25'-10"	23'-11"	22'-9"	18'-8"	25'-2"	23'-5"	22'-3"	20'-8"	26'-5"	24'-7"	23'-5"	18'-8"
	16"	26'-10"	24'-10"	23'-7"	22'-3"	28'-2"	26'-1"	24'-9"	19'-10"	27'-5"	25'-6"	24'-3"	22'-10"	28'-10"	26'-9"	24'-10"	19'-10"
	18"	28'-6"	26'-5"	25'-2"	23'-8"	30'-0"	27'-10"	26'-6"	22'-6"	29'-2"	27'-2"	25'-10"	24'-5"	30'-9"	28'-7"	27'-3"	22'-6"
	20"	30'-6"	28'-3"	26'-10"	25'-3"	32'-2"	29'-9"	28'-3"	23'-2"	31'-2"	29'-0"	27'-8"	25'-10"	33'-3"	30'-7"	28'-11"	23'-2"
LPI 52Plus	11-7/8"	22'-9"	21'-1"	20'-1"	18'-10"	23'-10"	22'-1"	21'-0"	19'-10"	23'-3"	21'-7"	20'-4"	18'-10"	24'-4"	22'-8"	21'-6"	20'-4"
	14"	25'-3"	23'-5"	22'-3"	20'-11"	26'-6"	24'-6"	23'-4"	21'-11"	25'-9"	23'-11"	22'-10"	21'-5"	27'-1"	25'-2"	23'-11"	22'-5"
	16"	27'-6"	25'-5"	24'-2"	22'-9"	28'-10"	26'-8"	25'-5"	23'-3"	28'-1"	26'-1"	24'-10"	23'-4"	29'-5"	27'-4"	26'-1"	23'-3"
	18"	29'-4"	27'-3"	25'-10"	23'-1"	30'-4"	27'-2"	25'-10"	22'-4"	28'-6"	26'-6"	25'-2"	23'-8"	30'-0"	27'-10"	26'-6"	22'-4"
LPI 56	11-7/8"	23'-3"	21'-6"	20'-5"	19'-3"	24'-4"	22'-7"	21'-5"	20'-2"	23'-8"	22'-0"	20'-10"	19'-4"	24'-10"	23'-1"	21'-11"	20'-3"
	14"	25'-9"	23'-10"	22'-8"	21'-3"	27'-0"	25'-0"	23'-9"	21'-4"	26'-3"	24'-4"	23'-2"	21'-10"	27'-7"	25'-7"	24'-4"	21'-4"
	16"	27'-11"	25'-10"	24'-7"	23'-1"	29'-4"	27'-2"	25'-10"	22'-4"	28'-6"	26'-6"	25'-2"	23'-8"	30'-0"	27'-10"	26'-6"	22'-4"
	18"	30'-0"	27'-9"	26'-4"	24'-9"	31'-7"	29'-3"	27'-9"	23'-3"	30'-7"	28'-4"	27'-0"	25'-5"	32'-5"	29'-11"	28'-6"	23'-3"
24"	37'-1"	33'-5"	31'-4"	29'-5"	39'-9"	35'-11"	30'-6"	24'-4"	38'-1"	34'-7"	32'-4"	30'-4"	40'-11"	36'-8"	30'-6"	24'-4"	

NOTES:

1. Joist spans have been calculated in accordance with CSA O86 for the specified uniform floor loads listed. Concentrated load cases, where required, shall be evaluated by the designer.
2. The spans listed are the clear distance between supports. Continuous spans are based on the longest span. The shortest span shall not be less than 50% of the longest span. Refer to the Uplift Coefficients table below to determine the required uplift restraint for the end of the shorter span of continuous, unequal span joists.
3. Vibration has been checked in accordance with CCMC concluding report (dated September 4, 1997) with glued & nailed floor sheathing, with or without a direct attached 1/2" gypsum ceiling, as indicated in the table.
4. The floor sheathing shall be 1F32 rated OSB conforming to CSA O325 and shall be glued to the joists with an elastomeric adhesive conforming to CGSB Standard CAN-CGSB-71.26-M88.
5. Uniform load deflection is limited to the following: L/480 on live load and L/240 on total load based on composite action with the glued floor sheathing. Long term deflection (creep) has not been considered. The designer shall evaluate live and total load deflection, and creep in the final design of the member.
6. The spans are based on an end bearing length of 1-3/4" for joists up to 16" deep and 2-1/2" for joists 18" and deeper. An interior bearing length of at least 3-1/2" is required. The spans are limited to the bearing resistance of an SPF wall plate.
7. Web stiffeners are not required for the spans in these tables except where **bold**. For spans in **bold**, web stiffeners shall be installed at all supports.
8. Web fillers are required for I-Joists seated in hangers that do not laterally support the top flange or for hangers that require nailing into the web.
9. Provide lateral support at points of bearing to prevent twisting of joists.
10. Use in dry service conditions only.
11. For conditions not covered or for additional information contact your LP® SolidStart® Engineered Wood Products distributor.

UPLIFT COEFFICIENTS												
Short span / Long span	0.50	0.55	0.60	0.65	0.70	0.75	0.80	0.85	0.90	0.95	1.00	
Coefficient A	0.375	0.709	1.088	1.514	1.989	2.516	3.096	3.732	4.427	5.182	6.000	
Coefficient B	6.00	6.82	7.68	8.58	9.52	10.5	11.52	12.58	13.68	14.82	16.00	

NOTE:

For joists continuous over two or more spans, where the short span is at least 50% of the long span, the end of the short span shall be anchored to resist any uplift force as indicated by a negative value from the following:

$$\text{Factored Uplift Force (lb)} = L \cdot s \cdot (A \cdot D_f - L_f) / B \text{ (A negative value represents uplift that must be restrained)}$$

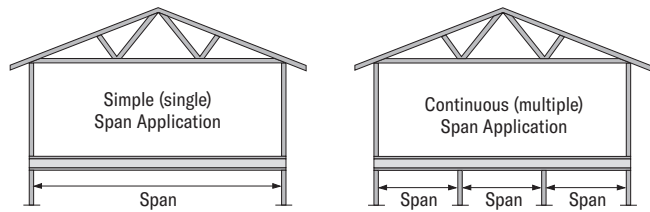
Where L = longest span (ft), s = joist spacing (ft), D_f = factored dead load (psf), L_f = factored live load (psf), A and B are coefficients given in the table

Floor Span Tables: 50 psf Live Load, 45 psf Dead Load, 7/8" OSB Sheathing

TO USE:

1. Select the appropriate table based on the floor system construction.
2. Select the Simple Span or Continuous Span section of the table, as required.
3. Find a span that meets or exceeds the required clear span.
4. Read the corresponding joist series, depth and spacing.

CAUTION: For floor systems that require both Simple Span and Continuous Span joists, it is a good idea to check both before selecting a joist. Some conditions are controlled by Continuous Span rather than Simple Span.



50 PSF LIVE LOAD, 45 PSF DEAD LOAD: 7/8" OSB SHEATHING, GLUED & NAILED																	
Series	Depth	No Direct Attached Ceiling								Direct Attached 1/2" Gypsum Ceiling							
		Maximum Simple Spans				Maximum Continuous Spans				Maximum Simple Spans				Maximum Continuous Spans			
		12" oc	16" oc	19.2" oc	24" oc	12" oc	16" oc	19.2" oc	24" oc	12" oc	16" oc	19.2" oc	24" oc	12" oc	16" oc	19.2" oc	24" oc
LPI 20Plus	9-1/2"	16'-3"	14'-5"	13'-2"	11'-9"	16'-7"	14'-4"	13'-1"	11'-2"	16'-3"	14'-5"	13'-2"	11'-9"	16'-7"	14'-4"	13'-1"	11'-2"
	11-7/8"	19'-4"	16'-9"	15'-3"	13'-8"	19'-3"	16'-8"	14'-11"	11'-11"	19'-4"	16'-9"	15'-3"	13'-8"	19'-3"	16'-8"	14'-11"	11'-11"
	14"	20'-11"	18'-2"	16'-6"	14'-9"	20'-10"	18'-1"	15'-9"	12'-7"	20'-11"	18'-2"	16'-6"	14'-9"	20'-10"	18'-1"	15'-9"	12'-7"
	16"	22'-6"	19'-5"	17'-9"	15'-10"	22'-5"	19'-4"	16'-7"	13'-2"	22'-6"	19'-5"	17'-9"	15'-10"	22'-5"	19'-4"	16'-7"	13'-2"
LPI 32Plus	9-1/2"	17'-2"	15'-7"	14'-5"	12'-10"	18'-2"	15'-8"	14'-0"	11'-2"	17'-2"	15'-7"	14'-5"	12'-10"	18'-2"	15'-8"	14'-0"	11'-2"
	11-7/8"	20'-5"	18'-0"	16'-5"	14'-8"	20'-9"	17'-11"	14'-11"	11'-11"	20'-5"	18'-0"	16'-5"	14'-8"	20'-9"	17'-11"	14'-11"	11'-11"
	14"	22'-7"	19'-9"	18'-0"	16'-1"	22'-9"	19'-0"	15'-9"	12'-7"	22'-7"	19'-9"	18'-0"	16'-1"	22'-9"	19'-0"	15'-9"	12'-7"
	16"	24'-7"	21'-3"	19'-5"	17'-4"	24'-6"	19'-11"	16'-7"	13'-2"	24'-7"	21'-3"	19'-5"	17'-4"	24'-6"	19'-11"	16'-7"	13'-2"
LPI 36	11-7/8"	21'-0"	19'-4"	18'-3"	16'-11"	22'-0"	20'-5"	17'-4"	13'-10"	21'-3"	19'-4"	18'-3"	16'-11"	22'-7"	20'-11"	17'-4"	13'-10"
	14"	23'-3"	21'-7"	20'-7"	17'-3"	24'-5"	20'-11"	17'-4"	13'-10"	23'-11"	21'-11"	20'-7"	17'-3"	25'-1"	20'-11"	17'-4"	13'-10"
	16"	25'-3"	23'-5"	21'-8"	17'-3"	26'-6"	20'-11"	17'-4"	13'-10"	24'-2"	21'-8"	17'-3"	20'-11"	17'-4"	13'-10"	17'-4"	13'-10"
	18"	27'-1"	25'-1"	23'-10"	21'-2"	27'-11"	20'-10"	17'-4"	13'-10"	27'-10"	25'-11"	24'-8"	21'-2"	27'-11"	20'-10"	17'-4"	13'-10"
LPI 42Plus	9-1/2"	19'-2"	17'-5"	16'-5"	15'-3"	20'-1"	18'-8"	16'-1"	12'-10"	19'-2"	17'-5"	16'-5"	15'-3"	20'-7"	18'-11"	16'-1"	12'-10"
	11-7/8"	22'-2"	20'-6"	19'-6"	18'-0"	23'-3"	21'-6"	19'-6"	15'-7"	22'-8"	20'-10"	19'-7"	18'-0"	23'-10"	22'-4"	19'-6"	15'-7"
	14"	24'-8"	22'-10"	21'-8"	19'-11"	25'-10"	23'-11"	21'-2"	16'-11"	25'-2"	23'-5"	22'-3"	19'-11"	26'-5"	24'-7"	21'-2"	16'-11"
	16"	26'-10"	24'-10"	23'-7"	21'-8"	28'-2"	26'-1"	22'-5"	17'-11"	27'-5"	25'-6"	24'-3"	21'-8"	28'-10"	26'-9"	22'-5"	17'-11"
	18"	28'-6"	26'-5"	25'-2"	23'-4"	30'-0"	27'-10"	25'-6"	20'-4"	29'-2"	27'-2"	25'-10"	23'-4"	30'-9"	28'-7"	25'-6"	20'-4"
	20"	30'-6"	28'-3"	26'-10"	24'-7"	32'-2"	29'-9"	26'-3"	20'-11"	31'-2"	29'-0"	27'-6"	24'-7"	33'-3"	30'-2"	26'-3"	20'-11"
LPI 52Plus	11-7/8"	22'-9"	21'-1"	20'-1"	18'-10"	23'-10"	22'-1"	21'-0"	19'-0"	23'-3"	21'-7"	20'-4"	18'-10"	24'-4"	22'-8"	21'-6"	19'-0"
	14"	25'-3"	23'-5"	22'-3"	20'-11"	26'-6"	24'-6"	23'-4"	20'-3"	25'-9"	23'-11"	22'-10"	21'-5"	27'-1"	25'-2"	23'-11"	20'-3"
	16"	27'-6"	25'-5"	24'-2"	22'-9"	28'-10"	26'-8"	25'-5"	21'-1"	28'-1"	26'-1"	24'-10"	23'-4"	29'-5"	27'-4"	26'-1"	21'-1"
	18"	29'-6"	27'-3"	25'-10"	23'-8"	30'-10"	28'-6"	27'-2"	21'-0"	30'-0"	28'-9"	26'-10"	25'-0"	31'-8"	29'-8"	27'-4"	25'-0"
LPI 56	11-7/8"	23'-3"	21'-6"	20'-5"	19'-3"	24'-4"	22'-7"	21'-5"	18'-4"	23'-8"	22'-0"	20'-10"	19'-4"	24'-10"	23'-1"	21'-11"	18'-4"
	14"	25'-9"	23'-10"	22'-8"	21'-3"	27'-0"	25'-0"	23'-9"	19'-3"	26'-3"	24'-4"	23'-2"	21'-6"	27'-7"	25'-7"	24'-2"	19'-3"
	16"	27'-11"	25'-10"	24'-7"	22'-9"	29'-4"	27'-2"	25'-3"	20'-2"	28'-6"	26'-6"	25'-2"	22'-9"	30'-0"	27'-10"	25'-3"	20'-2"
	18"	30'-0"	27'-9"	26'-4"	24'-9"	31'-7"	29'-3"	26'-5"	21'-1"	30'-7"	28'-4"	27'-0"	25'-5"	32'-5"	29'-11"	26'-5"	21'-1"
24"	37'-1"	33'-5"	31'-4"	29'-5"	39'-9"	33'-2"	27'-7"	22'-0"	38'-1"	34'-7"	32'-4"	30'-4"	40'-11"	33'-2"	27'-7"	22'-0"	

NOTES:

1. Joist spans have been calculated in accordance with CSA O86 for the specified uniform floor loads listed. Concentrated load cases, where required, shall be evaluated by the designer.
2. The spans listed are the clear distance between supports. Continuous spans are based on the longest span. The shortest span shall not be less than 50% of the longest span. Refer to the Uplift Coefficients table below to determine the required uplift restraint for the end of the shorter span of continuous, unequal span joists.
3. Vibration has been checked in accordance with CCMC concluding report (dated September 4, 1997) with glued & nailed floor sheathing, with or without a direct attached 1/2" gypsum ceiling, as indicated in the table.
4. The floor sheathing shall be 1F32 rated OSB conforming to CSA O325 and shall be glued to the joists with an elastomeric adhesive conforming to CGSB Standard CAN-CGSB-71.26-M88.
5. Uniform load deflection is limited to the following: L/480 on live load and L/240 on total load based on composite action with the glued floor sheathing. Long term deflection (creep) has not been considered. The designer shall evaluate live and total load deflection, and creep in the final design of the member.
6. The spans are based on an end bearing length of 1-3/4" for joists up to 16" deep and 2-1/2" for joists 18" and deeper. An interior bearing length of at least 3-1/2" is required. The spans are limited to the bearing resistance of an SPF wall plate.
7. Web stiffeners are not required for the spans in these tables except where **bold**. For spans in **bold**, web stiffeners shall be installed at all supports.
8. Web fillers are required for I-Joists seated in hangers that do not laterally support the top flange or for hangers that require nailing into the web.
9. Provide lateral support at points of bearing to prevent twisting of joists.
10. Use in dry service conditions only.
11. For conditions not covered or for additional information contact your LP® SolidStar® Engineered Wood Products distributor.

UPLIFT COEFFICIENTS												
Short span / Long span	0.50	0.55	0.60	0.65	0.70	0.75	0.80	0.85	0.90	0.95	1.00	
Coefficient A	0.375	0.709	1.088	1.514	1.989	2.516	3.096	3.732	4.427	5.182	6.000	
Coefficient B	6.00	6.82	7.68	8.58	9.52	10.5	11.52	12.58	13.68	14.82	16.00	

NOTE:

For joists continuous over two or more spans, where the short span is at least 50% of the long span, the end of the short span shall be anchored to resist any uplift force as indicated by a negative value from the following:

$$\text{Factored Uplift Force (lb)} = L \cdot s \cdot (A \cdot D_f - L_f) / B \text{ (a negative value represents uplift that must be restrained)}$$

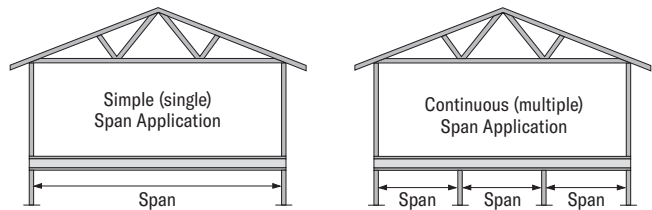
Where L = longest span (ft), s = joist spacing (ft), D_f = factored dead load (psf), L_f = factored live load (psf), A and B are coefficients given in the table

Floor Span Tables: 100 psf Live Load, 35 psf Dead Load, 7/8" OSB Sheathing

TO USE:

1. Select the appropriate table based on the floor system construction.
2. Select the Simple Span or Continuous Span section of the table, as required.
3. Find a span that meets or exceeds the required clear span.
4. Read the corresponding joist series, depth and spacing.

CAUTION: For floor systems that require both Simple Span and Continuous Span joists, it is a good idea to check both before selecting a joist. Some conditions are controlled by Continuous Span rather than Simple Span.



100 PSF LIVE LOAD, 35 PSF DEAD LOAD: 7/8" OSB SHEATHING, GLUED & NAILED																	
Series	Depth	No Direct Attached Ceiling								Direct Attached 1/2" Gypsum Ceiling							
		Maximum Simple Spans				Maximum Continuous Spans				Maximum Simple Spans				Maximum Continuous Spans			
		12" oc	16" oc	19.2" oc	24" oc	12" oc	16" oc	19.2" oc	24" oc	12" oc	16" oc	19.2" oc	24" oc	12" oc	16" oc	19.2" oc	24" oc
LPI 20Plus	9-1/2"	12'-8"	11'-6"	10'-9"	9'-1"	13'-8"	11'-4"	9'-5"	7'-6"	12'-8"	11'-6"	10'-9"	9'-1"	13'-8"	11'-4"	9'-5"	7'-6"
	11-7/8"	15'-1"	13'-8"	12'-6"	10'-3"	15'-10"	12'-1"	10'-0"	8'-0"	15'-1"	13'-8"	12'-6"	10'-3"	15'-10"	12'-1"	10'-0"	8'-0"
	14"	17'-3"	14'-11"	13'-7"	11'-3"	17'-1"	12'-9"	10'-7"	8'-5"	17'-3"	14'-11"	13'-7"	11'-3"	17'-1"	12'-9"	10'-7"	8'-5"
	16"	18'-5"	16'-0"	14'-7"	12'-2"	18'-0"	13'-5"	11'-2"	8'-10"	18'-5"	16'-0"	14'-7"	12'-2"	18'-0"	13'-5"	11'-2"	8'-10"
LPI 32Plus	9-1/2"	13'-3"	12'-0"	11'-4"	9'-1"	14'-4"	11'-4"	9'-5"	7'-6"	13'-3"	12'-0"	11'-4"	9'-1"	14'-4"	11'-4"	9'-5"	7'-6"
	11-7/8"	15'-10"	14'-4"	12'-10"	10'-3"	16'-2"	12'-1"	10'-0"	8'-0"	15'-10"	14'-4"	12'-10"	10'-3"	16'-2"	12'-1"	10'-0"	8'-0"
	14"	18'-0"	16'-3"	14'-2"	11'-3"	17'-1"	12'-9"	10'-7"	8'-5"	18'-0"	16'-3"	14'-2"	11'-3"	17'-1"	12'-9"	10'-7"	8'-5"
	16"	19'-11"	17'-6"	15'-3"	12'-2"	18'-0"	13'-5"	11'-2"	8'-10"	19'-11"	17'-6"	15'-3"	12'-2"	18'-0"	13'-5"	11'-2"	8'-10"
LPI 36	11-7/8"	16'-6"	14'-11"	14'-0"	11'-7"	17'-11"	14'-1"	11'-8"	9'-4"	16'-6"	14'-11"	14'-0"	11'-7"	17'-11"	14'-1"	11'-8"	9'-4"
	14"	18'-8"	16'-11"	14'-7"	11'-7"	18'-10"	14'-1"	11'-8"	9'-4"	18'-8"	16'-11"	14'-7"	11'-7"	18'-10"	14'-1"	11'-8"	9'-4"
	16"	20'-8"	17'-7"	14'-7"	11'-7"	18'-10"	14'-1"	11'-8"	9'-4"	20'-8"	17'-7"	14'-7"	11'-7"	18'-10"	14'-1"	11'-8"	9'-4"
	18"	22'-5"	20'-4"	17'-10"	14'-2"	18'-10"	14'-0"	11'-8"	9'-3"	22'-5"	20'-4"	17'-10"	14'-2"	18'-10"	14'-0"	11'-8"	9'-3"
LPI 42Plus	9-1/2"	14'-11"	13'-6"	12'-8"	10'-7"	16'-1"	13'-1"	10'-11"	8'-9"	14'-11"	13'-6"	12'-8"	10'-7"	16'-1"	13'-1"	10'-11"	8'-9"
	11-7/8"	17'-9"	16'-1"	15'-1"	12'-1"	19'-3"	15'-10"	13'-3"	10'-7"	17'-9"	16'-1"	15'-1"	12'-1"	19'-3"	15'-10"	13'-3"	10'-7"
	14"	20'-3"	18'-4"	16'-9"	13'-4"	21'-11"	17'-2"	14'-3"	11'-4"	20'-3"	18'-4"	16'-9"	13'-4"	21'-11"	17'-2"	14'-3"	11'-4"
	16"	22'-5"	20'-4"	18'-4"	14'-7"	24'-4"	18'-2"	15'-2"	12'-1"	22'-5"	20'-4"	18'-4"	14'-7"	24'-4"	18'-2"	15'-2"	12'-1"
	18"	24'-2"	21'-11"	20'-8"	18'-4"	26'-4"	20'-8"	17'-2"	13'-8"	24'-2"	21'-11"	20'-8"	18'-4"	26'-4"	20'-8"	17'-2"	13'-8"
	20"	26'-2"	23'-9"	22'-4"	19'-6"	28'-5"	21'-3"	17'-8"	14'-1"	26'-2"	23'-9"	22'-4"	19'-6"	28'-5"	21'-3"	17'-8"	14'-1"
LPI 52Plus	11-7/8"	18'-6"	16'-9"	15'-9"	14'-7"	20'-1"	18'-2"	16'-1"	12'-9"	18'-6"	16'-9"	15'-9"	14'-7"	20'-1"	18'-2"	16'-1"	12'-9"
	14"	20'-11"	19'-0"	17'-10"	16'-0"	22'-9"	20'-7"	17'-1"	13'-8"	20'-11"	19'-0"	17'-10"	16'-0"	22'-9"	20'-7"	17'-1"	13'-8"
	16"	23'-2"	21'-0"	19'-9"	17'-3"	25'-2"	21'-5"	17'-9"	14'-2"	23'-2"	21'-0"	19'-9"	17'-3"	25'-2"	21'-5"	17'-9"	14'-2"
	18"	25'-9"	23'-4"	21'-10"	18'-3"	28'-0"	21'-5"	17'-9"	14'-2"	25'-9"	23'-4"	21'-10"	18'-3"	28'-0"	21'-5"	17'-9"	14'-2"
LPI 56	11-7/8"	18'-11"	17'-1"	16'-1"	13'-6"	20'-6"	18'-6"	15'-6"	12'-4"	18'-11"	17'-1"	16'-1"	13'-6"	20'-6"	18'-6"	15'-6"	12'-4"
	14"	21'-5"	19'-5"	18'-2"	14'-5"	23'-3"	19'-7"	16'-3"	13'-0"	21'-5"	19'-5"	18'-2"	14'-5"	23'-3"	19'-7"	16'-3"	13'-0"
	16"	23'-8"	21'-5"	19'-2"	15'-3"	25'-9"	20'-6"	17'-0"	13'-7"	23'-8"	21'-5"	19'-2"	15'-3"	25'-9"	20'-6"	17'-0"	13'-7"
	18"	25'-9"	23'-4"	21'-10"	18'-3"	28'-0"	21'-5"	17'-9"	14'-2"	25'-9"	23'-4"	21'-10"	18'-3"	28'-0"	21'-5"	17'-9"	14'-2"
24"	31'-10"	28'-9"	27'-0"	22'-1"	29'-11"	22'-4"	18'-7"	14'-10"	31'-10"	28'-9"	27'-0"	22'-1"	29'-11"	22'-4"	18'-7"	14'-10"	

NOTES:

1. Joist spans have been calculated in accordance with CSA O86 for the specified uniform floor loads listed. Concentrated load cases, where required, shall be evaluated by the designer.
2. The spans listed are the clear distance between supports. Continuous spans are based on the longest span. The shortest span shall not be less than 50% of the longest span. Refer to the Uplift Coefficients table below to determine the required uplift restraint for the end of the shorter span of continuous, unequal span joists.
3. Vibration has been checked in accordance with CCMC concluding report (dated September 4, 1997) with glued & nailed floor sheathing, with or without a direct attached 1/2" gypsum ceiling, as indicated in the table.
4. The floor sheathing shall be 1F32 rated OSB conforming to CSA O325 and shall be glued to the joists with an elastomeric adhesive conforming to CGSB Standard CAN-CGSB-71.26-M88.
5. Uniform load deflection is limited to the following: L/480 on live load and L/240 on total load based on composite action with the glued floor sheathing. Long term deflection (creep) has not been considered. The designer shall evaluate live and total load deflection, and creep in the final design of the member.
6. The spans are based on an end bearing length of 1-3/4" for joists up to 16" deep and 2-1/2" for joists 18" and deeper. An interior bearing length of at least 3-1/2" is required. The spans are limited to the bearing resistance of an SPF wall plate.
7. Web stiffeners are not required for the spans in these tables except where **bold**. For spans in **bold**, web stiffeners shall be installed at all supports.
8. Web fillers are required for I-Joists seated in hangers that do not laterally support the top flange or for hangers that require nailing into the web.
9. Provide lateral support at points of bearing to prevent twisting of joists.
10. Use in dry service conditions only.
11. For conditions not covered or for additional information contact your LP® SolidStar® Engineered Wood Products distributor.

UPLIFT COEFFICIENTS												
Short span / Long span	0.50	0.55	0.60	0.65	0.70	0.75	0.80	0.85	0.90	0.95	1.00	
Coefficient A	0.375	0.709	1.088	1.514	1.989	2.516	3.096	3.732	4.427	5.182	6.000	
Coefficient B	6.00	6.82	7.68	8.58	9.52	10.5	11.52	12.58	13.68	14.82	16.00	

NOTE:

For joists continuous over two or more spans, where the short span is at least 50% of the long span, the end of the short span shall be anchored to resist any uplift force as indicated by a negative value from the following:

$$\text{Factored Uplift Force (lb)} = L \cdot s \cdot (A \cdot D_f - L_f) / B \text{ (a negative value represents uplift that must be restrained)}$$

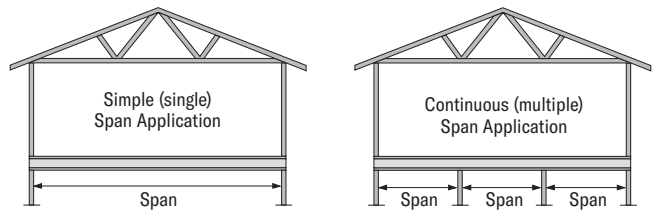
Where L = longest span (ft), s = joist spacing (ft), D_f = factored dead load (psf), L_f = factored live load (psf), A and B are coefficients given in the table

Floor Span Tables: 100 psf Live Load, 45 psf Dead Load, 7/8" OSB Sheathing

TO USE:

1. Select the appropriate table based on the floor system construction.
2. Select the Simple Span or Continuous Span section of the table, as required.
3. Find a span that meets or exceeds the required clear span.
4. Read the corresponding joist series, depth and spacing.

CAUTION: For floor systems that require both Simple Span and Continuous Span joists, it is a good idea to check both before selecting a joist. Some conditions are controlled by Continuous Span rather than Simple Span.



100 PSF LIVE LOAD, 45 PSF DEAD LOAD: 7/8" OSB SHEATHING, GLUED & NAILED																	
Series	Depth	No Direct Attached Ceiling								Direct Attached 1/2" Gypsum Ceiling							
		Maximum Simple Spans				Maximum Continuous Spans				Maximum Simple Spans			Maximum Continuous Spans				
		12" oc	16" oc	19.2" oc	24" oc	12" oc	16" oc	19.2" oc	24" oc	12" oc	16" oc	19.2" oc	24" oc	12" oc	16" oc	19.2" oc	24" oc
LPI 20Plus	9-1/2"	12'-8"	11'-6"	10'-6"	8'-6"	13'-3"	10'-8"	8'-10"	7'-0"	12'-8"	11'-6"	10'-6"	8'-6"	13'-3"	10'-8"	8'-10"	7'-0"
	11-7/8"	15'-11"	13'-4"	12'-1"	9'-7"	15'-3"	11'-4"	9'-5"	7'-6"	15'-1"	13'-4"	12'-1"	9'-7"	15'-3"	11'-4"	9'-5"	7'-6"
	14"	16'-8"	14'-5"	13'-2"	10'-7"	16'-1"	12'-0"	9'-11"	7'-11"	16'-8"	14'-5"	13'-2"	10'-7"	16'-1"	12'-0"	9'-11"	7'-11"
	16"	17'-11"	15'-6"	14'-1"	11'-5"	16'-10"	12'-7"	10'-5"	8'-4"	17'-11"	15'-6"	14'-1"	11'-5"	16'-10"	12'-7"	10'-5"	8'-4"
LPI 32Plus	9-1/2"	13'-3"	12'-0"	10'-8"	8'-6"	14'-4"	10'-8"	8'-10"	7'-0"	13'-3"	12'-0"	10'-8"	8'-6"	14'-4"	10'-8"	8'-10"	7'-0"
	11-7/8"	15'-10"	14'-4"	12'-1"	9'-7"	15'-3"	11'-4"	9'-5"	7'-6"	15'-10"	14'-4"	12'-1"	9'-7"	15'-3"	11'-4"	9'-5"	7'-6"
	14"	18'-0"	15'-9"	13'-3"	10'-7"	16'-1"	12'-0"	9'-11"	7'-11"	18'-0"	15'-9"	13'-3"	10'-7"	16'-1"	12'-0"	9'-11"	7'-11"
	16"	19'-7"	16'-11"	14'-4"	11'-5"	16'-10"	12'-7"	10'-5"	8'-4"	19'-7"	16'-11"	14'-4"	11'-5"	16'-10"	12'-7"	10'-5"	8'-4"
LPI 36	11-7/8"	16'-6"	14'-11"	13'-8"	10'-10"	17'-8"	13'-2"	10'-11"	8'-9"	16'-6"	14'-11"	13'-8"	10'-10"	17'-8"	13'-2"	10'-11"	8'-9"
	14"	18'-8"	16'-6"	13'-8"	10'-10"	17'-8"	13'-2"	10'-11"	8'-9"	18'-8"	16'-6"	13'-8"	10'-10"	17'-8"	13'-2"	10'-11"	8'-9"
	16"	20'-3"	16'-6"	13'-8"	10'-10"	17'-8"	13'-2"	10'-11"	8'-9"	20'-3"	16'-6"	13'-8"	10'-10"	17'-8"	13'-2"	10'-11"	8'-9"
	18"	22'-5"	20'-2"	16'-9"	13'-4"	17'-8"	13'-2"	10'-11"	8'-8"	22'-5"	20'-2"	16'-9"	13'-4"	17'-8"	13'-2"	10'-11"	8'-8"
LPI 42Plus	9-1/2"	14'-11"	13'-6"	12'-6"	9'-11"	16'-1"	12'-3"	10'-3"	8'-2"	14'-11"	13'-6"	12'-6"	9'-11"	16'-1"	12'-3"	10'-3"	8'-2"
	11-7/8"	17'-9"	16'-1"	14'-3"	11'-4"	19'-3"	14'-11"	12'-5"	9'-11"	17'-9"	16'-1"	14'-3"	11'-4"	19'-3"	14'-11"	12'-5"	9'-11"
	14"	20'-3"	18'-4"	15'-9"	12'-6"	21'-7"	16'-1"	13'-5"	10'-8"	20'-3"	18'-4"	15'-9"	12'-6"	21'-7"	16'-1"	13'-5"	10'-8"
	16"	22'-5"	20'-4"	17'-2"	13'-8"	22'-10"	17'-1"	14'-2"	11'-4"	22'-5"	20'-4"	17'-2"	13'-8"	22'-10"	17'-1"	14'-2"	11'-4"
	18"	24'-2"	21'-11"	20'-8"	17'-2"	25'-11"	19'-5"	16'-1"	12'-10"	24'-2"	21'-11"	20'-8"	17'-2"	25'-11"	19'-5"	16'-1"	12'-10"
	20"	26'-2"	23'-9"	21'-11"	18'-3"	26'-8"	19'-11"	16'-7"	13'-2"	26'-2"	23'-9"	21'-11"	18'-3"	26'-8"	19'-11"	16'-7"	13'-2"
LPI 52Plus	11-7/8"	18'-6"	16'-9"	15'-9"	13'-9"	20'-1"	18'-1"	15'-1"	12'-0"	18'-6"	16'-9"	15'-9"	13'-9"	20'-1"	18'-1"	15'-1"	12'-0"
	14"	20'-11"	19'-0"	17'-10"	15'-0"	22'-9"	19'-4"	16'-1"	12'-10"	20'-11"	19'-0"	17'-10"	15'-0"	22'-9"	19'-4"	16'-1"	12'-10"
	16"	23'-2"	21'-0"	19'-9"	16'-2"	25'-2"	20'-1"	16'-8"	13'-4"	23'-2"	21'-0"	19'-9"	16'-2"	25'-2"	20'-1"	16'-8"	13'-4"
	18"	25'-9"	23'-4"	21'-6"	17'-2"	26'-10"	20'-1"	16'-8"	13'-3"	25'-9"	23'-4"	21'-6"	17'-2"	26'-10"	20'-1"	16'-8"	13'-3"
LPI 56	11-7/8"	18'-11"	17'-1"	15'-11"	12'-8"	20'-6"	17'-6"	14'-6"	11'-7"	18'-11"	17'-1"	15'-11"	12'-8"	20'-6"	17'-6"	14'-6"	11'-7"
	14"	21'-5"	19'-5"	17'-0"	13'-6"	23'-3"	18'-4"	15'-3"	12'-2"	21'-5"	19'-5"	17'-0"	13'-6"	23'-3"	18'-4"	15'-3"	12'-2"
	16"	23'-8"	21'-5"	18'-0"	14'-4"	25'-9"	19'-3"	16'-0"	12'-9"	23'-8"	21'-5"	18'-0"	14'-4"	25'-9"	19'-3"	16'-0"	12'-9"
	18"	25'-9"	23'-4"	21'-6"	17'-2"	26'-10"	20'-1"	16'-8"	13'-3"	25'-9"	23'-4"	21'-6"	17'-2"	26'-10"	20'-1"	16'-8"	13'-3"
24"	31'-10"	28'-9"	26'-0"	20'-9"	28'-1"	21'-0"	17'-5"	13'-11"	31'-10"	28'-9"	26'-0"	20'-9"	28'-1"	21'-0"	17'-5"	13'-11"	

NOTES:

1. Joist spans have been calculated in accordance with CSA O86 for the specified uniform floor loads listed. Concentrated load cases, where required, shall be evaluated by the designer.
2. The spans listed are the clear distance between supports. Continuous spans are based on the longest span. The shortest span shall not be less than 50% of the longest span. Refer to the Uplift Coefficients table below to determine the required uplift restraint for the end of the shorter span of continuous, unequal span joists.
3. Vibration has been checked in accordance with CCMC concluding report (dated September 4, 1997) with glued & nailed floor sheathing, with or without a direct attached 1/2" gypsum ceiling, as indicated in the table.
4. The floor sheathing shall be 1F32 rated OSB conforming to CSA O325 and shall be glued to the joists with an elastomeric adhesive conforming to CGSB Standard CAN-CGSB-71.26-M88.
5. Uniform load deflection is limited to the following: L/480 on live load and L/240 on total load based on composite action with the glued floor sheathing. Long term deflection (creep) has not been considered. The designer shall evaluate live and total load deflection, and creep in the final design of the member.
6. The spans are based on an end bearing length of 1-3/4" for joists up to 16" deep and 2-1/2" for joists 18" and deeper. An interior bearing length of at least 3-1/2" is required. The spans are limited to the bearing resistance of an SPF wall plate.
7. Web stiffeners are not required for the spans in these tables except where **bold**. For spans in **bold**, web stiffeners shall be installed at all supports.
8. Web fillers are required for I-Joists seated in hangers that do not laterally support the top flange or for hangers that require nailing into the web.
9. Provide lateral support at points of bearing to prevent twisting of joists.
10. Use in dry service conditions only.
11. For conditions not covered or for additional information contact your LP® SolidStart® Engineered Wood Products distributor.

UPLIFT COEFFICIENTS											
Short span / Long span	0.50	0.55	0.60	0.65	0.70	0.75	0.80	0.85	0.90	0.95	1.00
Coefficient A	0.375	0.709	1.088	1.514	1.989	2.516	3.096	3.732	4.427	5.182	6.000
Coefficient B	6.00	6.82	7.68	8.58	9.52	10.5	11.52	12.58	13.68	14.82	16.00

NOTE:

For joists continuous over two or more spans, where the short span is at least 50% of the long span, the end of the short span shall be anchored to resist any uplift force as indicated by a negative value from the following:

$$\text{Factored Uplift Force (lb)} = L \cdot s \cdot (A \cdot D_f - L_f) / B \text{ (a negative value represents uplift that must be restrained)}$$

Where L = longest span (ft), s = joist spacing (ft), D_f = factored dead load (psf), L_f = factored live load (psf), A and B are coefficients given in the table

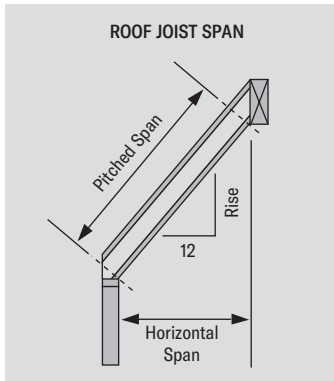
Roof Span Tables: Low Pitch (6:12 or less) for 25 and 30 psf Load

TO USE:

1. Select the appropriate set of tables based on roof pitch.
2. Select the section of that table that corresponds to the specified roof live or snow load.
3. Find a span that meets or exceeds the design span.
4. Read the corresponding series, depth and spacing.

NOTES:

1. Joist spans have been calculated in accordance with CSA O86 for the specified uniform snow and dead loads shown. These spans have not been evaluated for wind, snow drift or concentrated loads. The designer shall evaluate all required conditions.
2. The spans listed are the horizontal clear distance between supports and are valid for simple or continuous span applications. Continuous spans are based on the longest span. The shortest span shall not be less than 50% of the longest span. Refer to the Uplift Coefficients table on page 17 to determine the required uplift restraint for the end of the shorter span of continuous, unequal span joists due solely to gravity loads. Uplift due to wind may require additional restraint.
3. Uniform load deflection is limited to the following: L/360 on live load and L/180 on total load. Long term deflection (creep) has not been considered. The designer shall evaluate live and total load deflection, and creep in the final design of the member.
4. For deflection, the specified snow loads are reduced by the serviceability limit states Importance Factor ($I_s = 0.9$).
5. These tables do not reflect any additional stiffness provided by the roof sheathing.
6. The spans are based on an end bearing length of 1-3/4" for joists up to 16" deep and 2-1/2" for joists 18" and deeper. An interior bearing length of at least 3-1/2" is required. The spans are limited to the bearing resistance of an SPF wall plate.
7. Web stiffeners shall be installed at all supports for joists 18" and deeper (shown in **bold**) and for all depths when using a "bird's mouth" detail.
8. Web fillers are required for I-Joists seated in hangers that do not laterally support the top flange or for hangers that require nailing into the web.
9. Provide continuous lateral support for compression flange. Provide lateral support at points of bearing to prevent twisting of the joist.
10. Roof joists shall have a minimum pitch of 1/4" per foot (1/4:12) for positive drainage.
11. Roof applications in high wind areas require special analysis which may reduce spans and require special connectors to resist uplift.
12. Use in dry service conditions only.
13. For conditions not covered or for additional information contact your LP® SolidStart® Engineered Wood Products distributor.



	Series	Depth	16" oc	19.2" oc	24" oc
			Specified Dead Load: 25 psf		
			25 psf		
SPECIFIED ROOF SNOW LOAD (STANDARD DURATION)	LPI 20Plus	9-1/2"	18'-11"	17'-6"	15'-7"
		11-7/8"	22'-3"	20'-3"	18'-1"
		14"	24'-1"	21'-11"	19'-7"
		16"	25'-10"	23'-6"	20'-10"
	LPI 32Plus	9-1/2"	20'-1"	18'-10"	17'-1"
		11-7/8"	23'-11"	21'-9"	19'-6"
		14"	26'-3"	23'-11"	20'-9"
		16"	28'-3"	25'-9"	20'-10"
	LPI 36	11-7/8"	25'-1"	23'-6"	21'-9"
		14"	28'-5"	26'-8"	22'-1"
		16"	31'-5"	27'-10"	22'-2"
		18"	34'-2"	32'-1"	26'-7"
	LPI 42Plus	9-1/2"	22'-9"	21'-4"	19'-9"
		11-7/8"	27'-3"	25'-6"	23'-8"
		14"	30'-11"	29'-1"	26'-11"
		16"	34'-4"	32'-3"	28'-11"
		18"	36'-9"	34'-6"	31'-1"
	LPI 52Plus	20"	39'-10"	36'-8"	32'-9"
		24"	43'-10"	40'-0"	35'-9"
		11-7/8"	28'-2"	26'-5"	24'-5"
		14"	31'-11"	30'-0"	27'-1"
	LPI 56	16"	35'-4"	33'-3"	30'-8"
		11-7/8"	29'-1"	27'-4"	24'-9"
		14"	33'-0"	30'-11"	24'-10"
16"		36'-5"	31'-2"	24'-10"	
	18"	39'-8"	37'-2"	34'-5"	
	24"	48'-10"	45'-10"	42'-3"	
	LPI 20Plus	9-1/2"	18'-4"	16'-10"	15'-0"
		11-7/8"	21'-5"	19'-6"	17'-5"
14"		23'-2"	21'-2"	18'-11"	
16"		24'-10"	22'-8"	19'-4"	
LPI 32Plus	9-1/2"	19'-6"	18'-3"	16'-5"	
	11-7/8"	23'-0"	21'-0"	18'-3"	
	14"	25'-3"	23'-1"	19'-3"	
	16"	27'-3"	24'-3"	19'-4"	
LPI 36	11-7/8"	24'-4"	22'-10"	20'-5"	
	14"	27'-7"	25'-7"	20'-5"	
	16"	30'-6"	25'-7"	20'-5"	
	18"	33'-2"	30'-0"	24'-0"	
LPI 42Plus	9-1/2"	22'-1"	20'-9"	19'-2"	
	11-7/8"	26'-5"	24'-9"	22'-11"	
	14"	30'-1"	28'-2"	25'-9"	
	16"	33'-4"	31'-4"	26'-7"	
	18"	35'-8"	33'-6"	30'-0"	
LPI 52Plus	20"	38'-8"	35'-4"	31'-6"	
	24"	42'-3"	38'-6"	34'-5"	
	11-7/8"	27'-4"	25'-8"	23'-9"	
	14"	31'-0"	29'-1"	26'-11"	
LPI 56	16"	34'-4"	32'-3"	28'-4"	
	11-7/8"	28'-3"	26'-6"	23'-0"	
	14"	32'-0"	28'-10"	23'-0"	
	16"	34'-9"	28'-11"	23'-1"	
	18"	38'-6"	36'-1"	33'-5"	
	24"	47'-5"	44'-6"	38'-1"	

ACTUAL DEFLECTION BASED ON SPAN AND LIMIT			
Span (ft)	L/360	L/240	L/180
10'	5/16"	1/2"	11/16"
12'	3/8"	5/8"	13/16"
14'	7/16"	11/16"	15/16"
16'	9/16"	13/16"	1-1/16"
18'	5/8"	7/8"	1-3/16"
20'	11/16"	1"	1-5/16"
22'	3/4"	1-1/8"	1-7/16"
24'	13/16"	1-3/16"	1-5/8"
26'	7/8"	1-5/16"	1-3/4"
28'	15/16"	1-3/8"	1-7/8"
30'	1"	1-1/2"	2"

* Deflections rounded to the nearest 1/16"

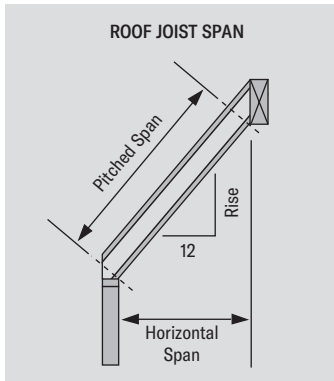
Roof Span Tables: Low Pitch (6:12 or less) for 40 and 60 psf Load

TO USE:

1. Select the appropriate set of tables based on roof pitch.
2. Select the section of that table that corresponds to the specified roof live or snow load.
3. Find a span that meets or exceeds the design span.
4. Read the corresponding series, depth and spacing.

NOTES:

1. Joist spans have been calculated in accordance with CSA O86 for the specified uniform snow and dead loads shown. These spans have not been evaluated for wind, snow drift or concentrated loads. The designer shall evaluate all required conditions.
2. The spans listed are the horizontal clear distance between supports and are valid for simple or continuous span applications. Continuous spans are based on the longest span. The shortest span shall not be less than 50% of the longest span. Refer to the Uplift Coefficients table below to determine the required uplift restraint for the end of the shorter span of continuous, unequal span joists due solely to gravity loads. Uplift due to wind may require additional restraint.
3. Uniform load deflection is limited to the following: L/360 on live load and L/180 on total load. Long term deflection (creep) has not been considered. The designer shall evaluate live and total load deflection, and creep in the final design of the member.
4. For deflection, the specified snow loads are reduced by the serviceability limit states Importance Factor ($I_s = 0.9$).
5. These tables do not reflect any additional stiffness provided by the roof sheathing.
6. The spans are based on an end bearing length of 1-3/4" for joists up to 16" deep and 2-1/2" for joists 18" and deeper. An interior bearing length of at least 3-1/2" is required. The spans are limited to the bearing resistance of an SPF wall plate.
7. Web stiffeners shall be installed at all supports for joists 18" and deeper (shown in **bold**) and for all depths when using a "bird's mouth" detail.
8. Web fillers are required for I-Joists seated in hangers that do not laterally support the top flange or for hangers that require nailing into the web.
9. Provide continuous lateral support for compression flange. Provide lateral support at points of bearing to prevent twisting of the joist.
10. Roof joists shall have a minimum pitch of 1/4" per foot (1/4:12) for positive drainage.
11. Roof applications in high wind areas require special analysis which may reduce spans and require special connectors to resist uplift.
12. Use in dry service conditions only.
13. For conditions not covered or for additional information contact your LP® SolidStart® Engineered Wood Products distributor.



SPECIFIED ROOF SNOW LOAD (STANDARD DURATION)	Series	Depth	16" oc	19.2" oc	24" oc
			Specified Dead Load: 25 psf		
40 psf	LPI 20Plus	9-1/2"	16'-8"	15'-5"	13'-9"
		11-7/8"	19'-7"	17'-11"	15'-11"
		14"	21'-3"	19'-5"	16'-2"
		16"	22'-9"	20'-4"	16'-3"
	LPI 32Plus	9-1/2"	17'-8"	16'-7"	14'-11"
		11-7/8"	21'-1"	19'-3"	15'-11"
		14"	23'-2"	20'-4"	16'-2"
		16"	24'-6"	20'-4"	16'-3"
	LPI 36	11-7/8"	22'-2"	20'-9"	17'-0"
		14"	25'-1"	21'-4"	17'-0"
		16"	25'-8"	21'-4"	17'-0"
		18"	30'-1"	25'-1"	20'-0"
	LPI 42Plus	9-1/2"	20'-1"	18'-10"	17'-5"
		11-7/8"	24'-0"	22'-7"	20'-8"
		14"	27'-4"	25'-8"	21'-6"
		16"	30'-4"	27'-10"	22'-2"
		18"	32'-6"	30'-6"	27'-6"
		20"	35'-3"	32'-4"	28'-11"
	LPI 52Plus	24"	38'-9"	35'-4"	30'-4"
		11-7/8"	24'-11"	23'-4"	21'-7"
		14"	28'-3"	26'-6"	23'-5"
	LPI 56	16"	31'-3"	29'-4"	23'-7"
		11-7/8"	25'-8"	24'-1"	19'-4"
		14"	29'-2"	24'-3"	19'-4"
16"		29'-3"	24'-4"	19'-4"	
LPI 20Plus	18"	35'-0"	32'-10"	30'-5"	
	24"	43'-2"	39'-9"	31'-9"	
	9-1/2"	14'-6"	13'-5"	11'-2"	
LPI 32Plus	11-7/8"	17'-1"	14'-11"	11'-11"	
	14"	18'-6"	15'-4"	12'-2"	
	16"	18'-7"	15'-5"	12'-3"	
	9-1/2"	15'-4"	14'-0"	11'-2"	
LPI 36	11-7/8"	18'-0"	14'-11"	11'-11"	
	14"	18'-6"	15'-4"	12'-2"	
	16"	18'-7"	15'-5"	12'-3"	
	11-7/8"	19'-2"	16'-0"	12'-9"	
LPI 42Plus	14"	19'-3"	16'-0"	12'-9"	
	16"	19'-3"	16'-0"	12'-9"	
	18"	22'-7"	18'-9"	15'-0"	
	9-1/2"	17'-5"	16'-4"	13'-11"	
LPI 52Plus	11-7/8"	20'-10"	19'-5"	15'-6"	
	14"	23'-9"	20'-2"	16'-1"	
	16"	25'-1"	20'-10"	16'-8"	
	18"	28'-3"	26'-6"	22'-0"	
	20"	30'-7"	28'-2"	22'-8"	
	24"	33'-9"	28'-6"	22'-9"	
LPI 56	11-7/8"	21'-7"	20'-3"	17'-4"	
	14"	24'-6"	22'-1"	17'-8"	
	16"	26'-8"	22'-2"	17'-9"	
	11-7/8"	22'-1"	18'-4"	14'-7"	
LPI 20Plus	14"	22'-1"	18'-4"	14'-7"	
	16"	22'-1"	18'-5"	14'-8"	
	18"	30'-5"	28'-6"	22'-10"	
	24"	35'-11"	29'-10"	23'-10"	

UPLIFT COEFFICIENTS

Short span / Long span	0.50	0.55	0.60	0.65	0.70	0.75	0.80	0.85	0.90	0.95	1.00
Coefficient A	0.375	0.709	1.088	1.514	1.989	2.516	3.096	3.732	4.427	5.182	6.000
Coefficient B	6.00	6.82	7.68	8.58	9.52	10.5	11.52	12.58	13.68	14.82	16.00

NOTE:

For joists continuous over two or more spans, where the short span is at least 50% of the long span, the end of the short span shall be anchored to resist any uplift force as indicated by a negative value from the following:

$$\text{Factored Uplift Force (lb)} = L \cdot s \cdot (A \cdot D_f - L_f) / B$$

(a negative value represents uplift that must be restrained)

Where L = longest span (ft), s = joist spacing (ft), D_f = factored dead load (psf), L_f = factored live load (psf), A and B are coefficients given in the table

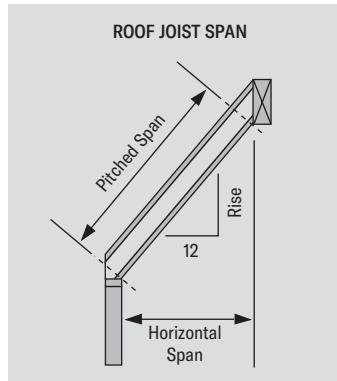
Roof Span Tables: High Pitch (6:12 to 12:12) for 25 and 30 psf Load

TO USE:

1. Select the appropriate set of tables based on roof pitch.
2. Select the section of that table that corresponds to the specified roof live or snow load.
3. Find a span that meets or exceeds the design span.
4. Read the corresponding series, depth and spacing.

NOTES:

1. Joist spans have been calculated in accordance with CSA O86 for the specified uniform snow and dead loads shown. These spans have not been evaluated for wind, snow drift or concentrated loads. The designer shall evaluate all required conditions.
2. The spans listed are the horizontal clear distance between supports and are valid for simple or continuous span applications. Continuous spans are based on the longest span. The shortest span shall not be less than 50% of the longest span. Refer to the Uplift Coefficients table on page 19 to determine the required uplift restraint for the end of the shorter span of continuous, unequal span joists due solely to gravity loads. Uplift due to wind may require additional restraint.
3. Uniform load deflection is limited to the following: L/360 on live load and L/180 on total load. Long term deflection (creep) has not been considered. The designer shall evaluate live and total load deflection, and creep in the final design of the member.
4. For deflection, the specified snow loads are reduced by the serviceability limit states Importance Factor ($I_s = 0.9$).
5. These tables do not reflect any additional stiffness provided by the roof sheathing.
6. The spans are based on an end bearing length of 1-3/4" for joists up to 16" deep and 2-1/2" for joists 18" and deeper. An interior bearing length of at least 3-1/2" is required. The spans are limited to the bearing resistance of an SPF wall plate.
7. Web stiffeners shall be installed at all supports for joists 18" and deeper (shown in **bold**) and for all depths when using a "bird's mouth" detail.
8. Web fillers are required for I-Joists seated in hangers that do not laterally support the top flange or for hangers that require nailing into the web.
9. Provide continuous lateral support for compression flange. Provide lateral support at points of bearing to prevent twisting of the joist.
10. Roof joists shall have a minimum pitch of 1/4" per foot (1/4:12) for positive drainage.
11. Roof applications in high wind areas require special analysis which may reduce spans and require special connectors to resist uplift.
12. Use in dry service conditions only.
13. For conditions not covered or for additional information contact your LP® SolidStart® Engineered Wood Products distributor.



	Series	Depth	16" oc	19.2" oc	24" oc	
			Specified Dead Load: 25 psf			
SPECIFIED ROOF SNOW LOAD (STANDARD DURATION)	25 psf	LPI 20Plus	9-1/2"	16'-9"	15'-9"	14'-3"
			11-7/8"	20'-1"	18'-7"	16'-7"
			14"	22'-1"	20'-1"	17'-5"
			16"	23'-8"	21'-7"	17'-6"
		LPI 32Plus	9-1/2"	17'-9"	16'-8"	15'-5"
			11-7/8"	21'-3"	19'-11"	17'-4"
			14"	24'-0"	21'-10"	17'-5"
			16"	25'-11"	21'-11"	17'-6"
		LPI 36	11-7/8"	22'-2"	20'-10"	18'-6"
			14"	25'-2"	23'-3"	18'-6"
			16"	27'-10"	23'-4"	18'-7"
			18"	30'-3"	28'-5"	26'-3"
	LPI 42Plus	9-1/2"	20'-2"	18'-11"	17'-6"	
		11-7/8"	24'-1"	22'-8"	20'-11"	
		14"	27'-5"	25'-9"	23'-5"	
		16"	30'-5"	28'-7"	24'-3"	
	LPI 52Plus	18"	32'-6"	30'-7"	28'-4"	
		20"	35'-3"	33'-1"	30'-0"	
		24"	40'-2"	36'-8"	32'-9"	
		11-7/8"	24'-11"	23'-5"	21'-8"	
	LPI 56	14"	28'-3"	26'-7"	24'-7"	
		16"	31'-4"	29'-5"	25'-9"	
		11-7/8"	25'-9"	24'-2"	20'-9"	
		14"	29'-2"	26'-1"	20'-10"	
LPI 20Plus	16"	31'-5"	26'-2"	20'-10"		
	18"	35'-1"	32'-11"	30'-6"		
	24"	43'-3"	40'-7"	37'-7"		
	9-1/2"	16'-4"	15'-4"	14'-0"		
LPI 32Plus	11-7/8"	19'-7"	18'-2"	16'-2"		
	14"	21'-6"	19'-8"	16'-7"		
	16"	23'-1"	20'-11"	16'-8"		
	9-1/2"	17'-4"	16'-3"	15'-0"		
LPI 36	11-7/8"	20'-8"	19'-5"	16'-6"		
	14"	23'-6"	20'-10"	16'-7"		
	16"	25'-2"	20'-11"	16'-8"		
	11-7/8"	21'-8"	20'-4"	17'-8"		
LPI 42Plus	14"	24'-6"	22'-2"	17'-8"		
	16"	26'-9"	22'-3"	17'-9"		
	18"	29'-6"	27'-8"	25'-7"		
	9-1/2"	19'-7"	18'-5"	17'-0"		
LPI 52Plus	11-7/8"	23'-6"	22'-1"	20'-5"		
	14"	26'-9"	25'-1"	22'-4"		
	16"	29'-8"	27'-10"	23'-1"		
	18"	31'-8"	29'-9"	27'-7"		
LPI 56	20"	34'-4"	32'-3"	29'-4"		
	24"	39'-3"	35'-9"	32'-0"		
	11-7/8"	24'-3"	22'-10"	21'-1"		
	14"	27'-7"	25'-11"	24'-0"		
LPI 20Plus	16"	30'-6"	28'-8"	24'-7"		
	11-7/8"	25'-1"	23'-7"	19'-10"		
	14"	28'-5"	24'-11"	19'-10"		
	16"	30'-0"	24'-11"	19'-11"		
LPI 32Plus	18"	34'-2"	32'-1"	29'-9"		
	24"	42'-1"	39'-7"	36'-8"		

ACTUAL DEFLECTION BASED ON SPAN AND LIMIT			
Span (ft)	L/360	L/240	L/180
10'	5/16"	1/2"	11/16"
12'	3/8"	5/8"	13/16"
14'	7/16"	11/16"	15/16"
16'	9/16"	13/16"	1-1/16"
18'	5/8"	7/8"	1-3/16"
20'	11/16"	1"	1-5/16"
22'	3/4"	1-1/8"	1-7/16"
24'	13/16"	1-3/16"	1-5/8"
26'	7/8"	1-5/16"	1-3/4"
28'	15/16"	1-3/8"	1-7/8"
30'	1"	1-1/2"	2"

* Deflections rounded to the nearest 1/16"

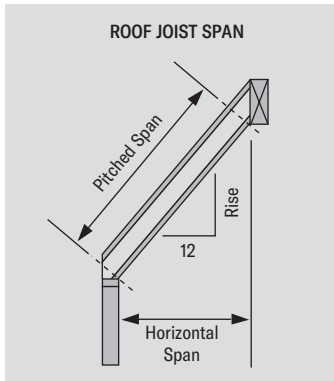
Roof Span Tables: High Pitch (6:12 to 12:12) for 40 and 60 psf Load

TO USE:

1. Select the appropriate set of tables based on roof pitch.
2. Select the section of that table that corresponds to the specified roof live or snow load.
3. Find a span that meets or exceeds the design span.
4. Read the corresponding series, depth and spacing.

NOTES:

1. Joist spans have been calculated in accordance with CSA O86 for the specified uniform snow and dead loads shown. These spans have not been evaluated for wind, snow drift or concentrated loads. The designer shall evaluate all required conditions.
2. The spans listed are the horizontal clear distance between supports and are valid for simple or continuous span applications. Continuous spans are based on the longest span. The shortest span shall not be less than 50% of the longest span. Refer to the Uplift Coefficients table below to determine the required uplift restraint for the end of the shorter span of continuous, unequal span joists due solely to gravity loads. Uplift due to wind may require additional restraint.
3. Uniform load deflection is limited to the following: L/360 on live load and L/180 on total load. Long term deflection (creep) has not been considered. The designer shall evaluate live and total load deflection, and creep in the final design of the member.
4. For deflection, the specified snow loads are reduced by the serviceability limit states Importance Factor ($I_s = 0.9$).
5. These tables do not reflect any additional stiffness provided by the roof sheathing.
6. The spans are based on an end bearing length of 1-3/4" for joists up to 16" deep and 2-1/2" for joists 18" and deeper. An interior bearing length of at least 3-1/2" is required. The spans are limited to the bearing resistance of an SPF wall plate.
7. Web stiffeners shall be installed at all supports for joists 18" and deeper (shown in **bold**) and for all depths when using a "bird's mouth" detail.
8. Web fillers are required for I-Joists seated in hangers that do not laterally support the top flange or for hangers that require nailing into the web.
9. Provide continuous lateral support for compression flange. Provide lateral support at points of bearing to prevent twisting of the joist.
10. Roof joists shall have a minimum pitch of 1/4" per foot (1/4:12) for positive drainage.
11. Roof applications in high wind areas require special analysis which may reduce spans and require special connectors to resist uplift.
12. Use in dry service conditions only.
13. For conditions not covered or for additional information contact your LP® SolidStart® Engineered Wood Products distributor.



SPECIFIED ROOF SNOW LOAD (STANDARD DURATION)	Series	Depth	16" oc	19.2" oc	24" oc
			Specified Dead Load: 25 psf		
40 psf	LPI 20Plus	9-1/2"	15'-6"	14'-7"	13'-2"
		11-7/8"	18'-8"	17'-1"	14'-8"
		14"	20'-3"	18'-6"	14'-8"
		16"	21'-9"	18'-6"	14'-9"
	LPI 32Plus	9-1/2"	16'-6"	15'-5"	14'-3"
		11-7/8"	19'-8"	18'-4"	14'-8"
		14"	22'-1"	18'-6"	14'-8"
		16"	22'-4"	18'-6"	14'-9"
	LPI 36	11-7/8"	20'-7"	19'-4"	15'-7"
		14"	23'-4"	19'-8"	15'-8"
		16"	23'-9"	19'-9"	15'-9"
		18"	28'-0"	26'-4"	21'-7"
	LPI 42Plus	9-1/2"	18'-8"	17'-6"	16'-2"
		11-7/8"	22'-4"	21'-0"	19'-1"
		14"	25'-5"	23'-10"	19'-10"
		16"	28'-2"	25'-8"	20'-6"
		18"	30'-2"	28'-4"	26'-2"
		20"	32'-8"	30'-8"	27'-7"
	LPI 52Plus	14"	26'-3"	24'-8"	21'-4"
		16"	29'-0"	27'-3"	21'-9"
		11-7/8"	23'-11"	22'-0"	17'-7"
	LPI 56	14"	26'-7"	26'-1"	17'-7"
		16"	26'-7"	22'-1"	17'-7"
		18"	32'-6"	30'-7"	28'-3"
24"		40'-1"	37'-8"	34'-4"	
60 psf	LPI 20Plus	9-1/2"	13'-6"	12'-8"	11'-3"
		11-7/8"	16'-2"	14'-2"	11'-3"
		14"	17'-2"	14'-3"	11'-4"
		16"	17'-3"	14'-4"	11'-5"
	LPI 32Plus	9-1/2"	14'-3"	13'-5"	11'-3"
		11-7/8"	17'-1"	14'-2"	11'-3"
		14"	17'-2"	14'-3"	11'-4"
		16"	17'-3"	14'-4"	11'-5"
	LPI 36	11-7/8"	17'-11"	15'-2"	12'-1"
		14"	18'-4"	15'-2"	12'-1"
		16"	18'-4"	15'-3"	12'-2"
		18"	24'-4"	20'-6"	16'-4"
LPI 42Plus	9-1/2"	16'-2"	15'-2"	13'-9"	
	11-7/8"	19'-5"	18'-2"	14'-9"	
	14"	22'-1"	19'-2"	15'-4"	
	16"	23'-11"	19'-10"	15'-10"	
	18"	26'-3"	24'-8"	22'-9"	
	20"	28'-5"	26'-8"	24'-3"	
LPI 52Plus	14"	22'-10"	20'-8"	16'-6"	
	16"	25'-3"	21'-1"	16'-10"	
	11-7/8"	20'-6"	17'-0"	13'-7"	
LPI 56	14"	20'-6"	17'-1"	13'-7"	
	16"	20'-7"	17'-1"	13'-7"	
	18"	28'-3"	26'-6"	24'-6"	
	24"	34'-10"	32'-7"	26'-0"	

UPLIFT COEFFICIENTS											
Short span / Long span	0.50	0.55	0.60	0.65	0.70	0.75	0.80	0.85	0.90	0.95	1.00
Coefficient A	0.375	0.709	1.088	1.514	1.989	2.516	3.096	3.732	4.427	5.182	6.000
Coefficient B	6.00	6.82	7.68	8.58	9.52	10.5	11.52	12.58	13.68	14.82	16.00

NOTE:

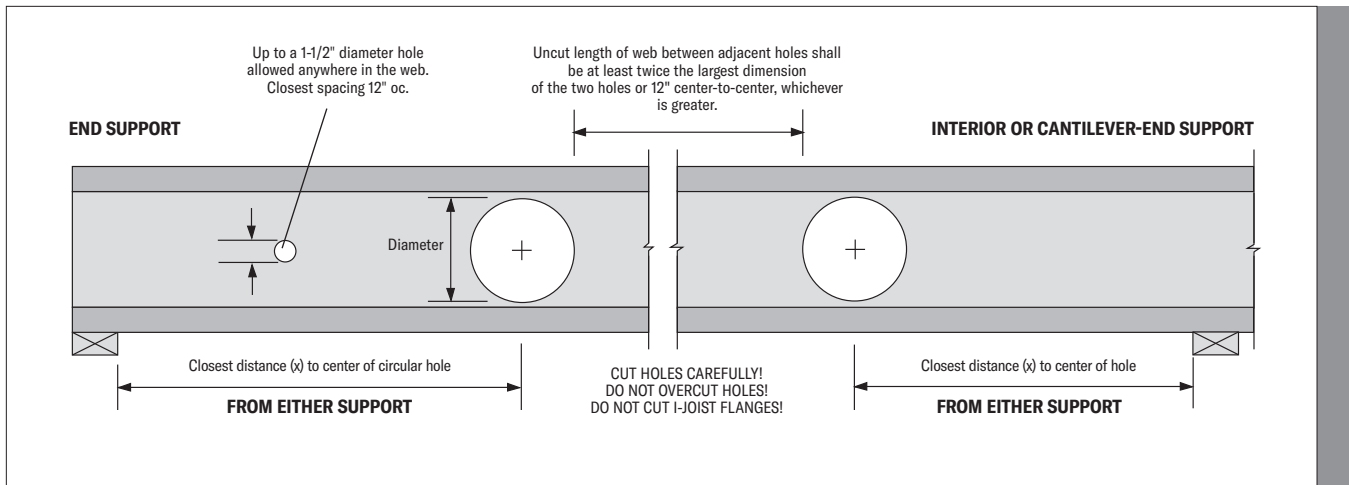
For joists continuous over two or more spans, where the short span is at least 50% of the long span, the end of the short span shall be anchored to resist any uplift force as indicated by a negative value from the following:

$$\text{Factored Uplift Force (lb)} = L \cdot s \cdot (A \cdot D_f - L_f) / B$$

(a negative value represents uplift that must be restrained)

Where L = longest span (ft), s = joist spacing (ft), D_f = factored dead load (psf), L_f = factored live load (psf), A and B are coefficients given in the table

Web Hole Specifications: Circular Holes



TO USE:

1. Select the required series and depth.
2. Select the column corresponding to the required hole diameter. For diameters between those listed, use the next largest value.
3. Read the minimum distance from the inside face of bearing to the center of the circular hole.
4. Double check the distance to the other support, using the appropriate support condition.

Series	Depth	Circular Hole Diameter																
		2"	3"	4"	5"	6"	7"	8"	9"	10"	11"	12"	13"	14"	15"	16"	17"	18"
LPI 20Plus	9-1/2"	1'-0"	1'-0"	1'-6"	2'-1"	2'-9"	-	-	-	-	-	-	-	-	-	-	-	-
	11-7/8"	1'-0"	1'-5"	1'-11"	2'-6"	3'-1"	3'-8"	4'-3"	-	-	-	-	-	-	-	-	-	-
	14"	1'-4"	1'-10"	2'-4"	2'-9"	3'-3"	3'-9"	4'-3"	4'-9"	5'-4"	-	-	-	-	-	-	-	-
	16"	1'-9"	2'-2"	2'-7"	3'-1"	3'-6"	4'-0"	4'-5"	4'-11"	5'-4"	5'-11"	6'-6"	-	-	-	-	-	-
LPI 32Plus	9-1/2"	1'-0"	1'-1"	1'-9"	2'-7"	3'-4"	-	-	-	-	-	-	-	-	-	-	-	-
	11-7/8"	1'-1"	1'-8"	2'-4"	3'-0"	3'-8"	4'-3"	4'-11"	-	-	-	-	-	-	-	-	-	-
	14"	1'-8"	2'-3"	2'-10"	3'-5"	3'-11"	4'-6"	5'-1"	5'-8"	6'-4"	-	-	-	-	-	-	-	-
	16"	2'-3"	2'-9"	3'-3"	3'-10"	4'-4"	4'-10"	5'-5"	5'-11"	6'-5"	7'-1"	7'-10"	-	-	-	-	-	-
LPI 36	11-7/8"	1'-0"	2'-1"	3'-2"	4'-3"	5'-3"	6'-4"	7'-5"	-	-	-	-	-	-	-	-	-	-
	14"	1'-10"	2'-9"	3'-9"	4'-8"	5'-8"	6'-8"	7'-8"	8'-8"	9'-9"	-	-	-	-	-	-	-	-
	16"	2'-3"	3'-1"	4'-0"	4'-11"	5'-10"	6'-10"	7'-9"	8'-9"	9'-10"	10'-11"	12'-0"	-	-	-	-	-	-
	18"	1'-0"	1'-0"	1'-0"	1'-1"	1'-9"	2'-6"	3'-7"	4'-11"	6'-2"	7'-7"	8'-11"	10'-6"	12'-3"	-	-	-	-
LPI 42Plus	9-1/2"	1'-3"	2'-3"	3'-3"	4'-3"	5'-3"	-	-	-	-	-	-	-	-	-	-	-	-
	11-7/8"	3'-3"	4'-0"	4'-10"	5'-7"	6'-4"	7'-1"	7'-11"	-	-	-	-	-	-	-	-	-	-
	14"	4'-8"	5'-3"	5'-10"	6'-5"	7'-0"	7'-8"	8'-5"	9'-3"	10'-2"	-	-	-	-	-	-	-	-
	16"	5'-8"	6'-2"	6'-9"	7'-3"	7'-9"	8'-4"	8'-11"	9'-8"	10'-7"	11'-5"	12'-5"	-	-	-	-	-	-
	18"	1'-0"	1'-2"	1'-9"	2'-7"	3'-6"	4'-6"	5'-5"	6'-5"	7'-5"	8'-5"	9'-9"	11'-6"	13'-7"	-	-	-	-
	20"	1'-4"	1'-9"	2'-3"	2'-11"	3'-9"	4'-7"	5'-6"	6'-4"	7'-2"	8'-1"	9'-1"	10'-4"	11'-11"	14'-1"	16'-4"	-	-
24"	2'-6"	2'-10"	3'-3"	3'-7"	4'-4"	5'-1"	5'-10"	6'-7"	7'-3"	8'-0"	8'-9"	9'-7"	10'-5"	11'-6"	12'-11"	14'-7"	16'-10"	
LPI 52Plus	11-7/8"	5'-3"	5'-9"	6'-4"	6'-11"	7'-6"	8'-2"	8'-9"	-	-	-	-	-	-	-	-	-	-
	14"	6'-5"	6'-11"	7'-5"	8'-0"	8'-7"	9'-2"	9'-9"	10'-5"	11'-0"	-	-	-	-	-	-	-	-
	16"	7'-5"	7'-11"	8'-4"	8'-11"	9'-6"	10'-1"	10'-8"	11'-4"	12'-0"	12'-7"	13'-4"	-	-	-	-	-	-
LPI 56	11-7/8"	3'-7"	4'-7"	5'-6"	6'-6"	7'-6"	8'-6"	9'-7"	-	-	-	-	-	-	-	-	-	-
	14"	4'-8"	5'-7"	6'-5"	7'-4"	8'-3"	9'-3"	10'-2"	11'-2"	12'-4"	-	-	-	-	-	-	-	-
	16"	5'-10"	6'-8"	7'-6"	8'-4"	9'-3"	10'-1"	10'-11"	11'-9"	12'-9"	13'-10"	15'-4"	-	-	-	-	-	-
	18"	2'-1"	2'-9"	3'-5"	4'-2"	5'-3"	6'-6"	7'-9"	8'-11"	10'-3"	11'-6"	12'-10"	14'-1"	15'-10"	-	-	-	-
24"	4'-6"	5'-0"	5'-5"	6'-0"	7'-0"	8'-0"	9'-0"	9'-11"	10'-11"	11'-11"	13'-1"	14'-2"	15'-4"	16'-6"	17'-8"	18'-11"	20'-6"	

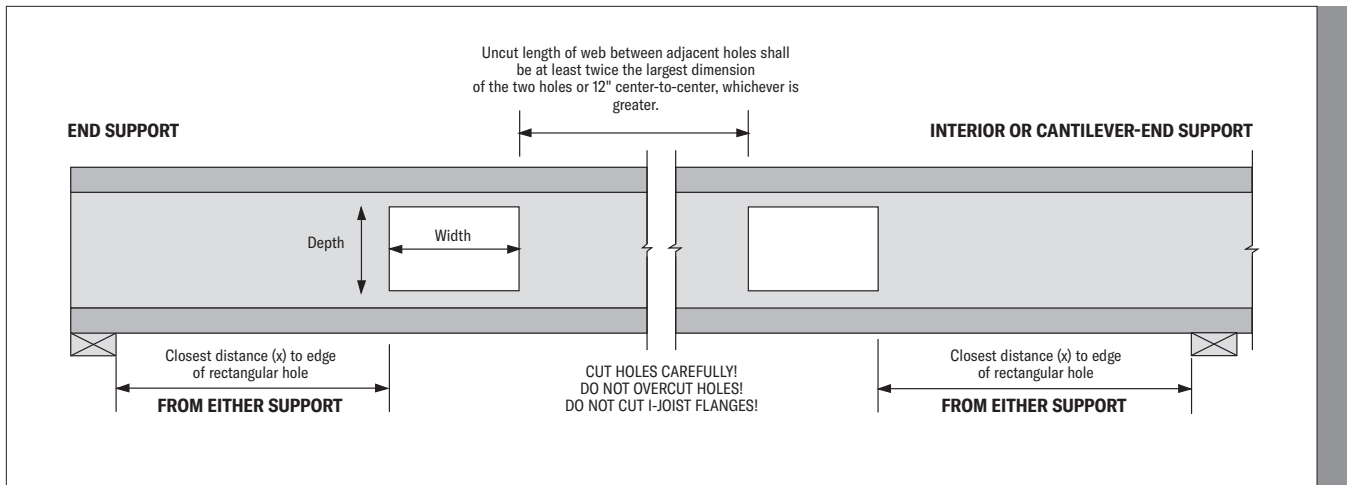
DESIGN ASSUMPTIONS:

1. The hole locations listed above are valid for joists supporting only uniform loads. The specified uniform dead load shall not exceed the specified uniform live load. These tables have NOT been evaluated for concentrated loads.
2. Hole location is measured from the inside face of bearing to the center of a circular hole, from the closest support.
3. Verify that the joist selected will work for the span and loading conditions needed before checking hole location.
4. The maximum hole depth for circular holes is the I-joist Depth less 4", except the maximum hole depth is 6" for 9-1/2" LPI joists, and 8" for 11-7/8" LPI joists.
5. Holes cannot be located in the span where designated "-", without further analysis by a design professional.

NOTES:

1. Holes may be placed anywhere within the depth of the joist. A minimum 1/4" clear distance is required between the hole and the flanges.
2. Round holes up to 1-1/2" diameter may be placed anywhere in the web.
3. Perforated "knockouts" may be neglected when locating web holes.
4. Holes larger than 1-1/2" are not permitted in cantilevers without special engineering.
5. Multiple holes shall have a clear separation along the length of the joist of at least twice the larger dimension of the larger adjacent hole, or a minimum of 12" center-to-center, whichever is greater.
6. Multiple holes may be spaced closer provided they fit within the boundary of an acceptable larger hole. Example: two 3" round holes aligned parallel to the joist length may be spaced 2" apart (clear distance) provided that a 3" high by 8" long rectangle or an 8" diameter round hole are acceptable for the joist depth at that location and completely encompass the holes.
7. For conditions not covered in this table, use LP's design software or contact your local LP® SolidStart® Engineered Wood Products distributor for more information.

Web Hole Specifications: Rectangular Holes



TO USE:

1. Select the required series and depth.
2. Select the column corresponding to the required hole dimension. For dimensions between those listed, use the next largest value.
3. Read the minimum distance from the inside face of bearing to the nearest edge of the square or rectangular hole.
4. Double check the distance to the other support, using the appropriate support condition.

Series	Depth	Maximum Hole Dimension: Depth or Width																
		2"	3"	4"	5"	6"	7"	8"	9"	10"	11"	12"	13"	14"	15"	16"	17"	18"
LPI 20Plus	9-1/2"	2'-11"	3'-6"	4'-1"	4'-10"	6'-1"	6'-5"	6'-10"	7'-2"	7'-7"	8'-0"	8'-5"	8'-11"	9'-6"	10'-2"	10'-10"	-	-
	11-7/8"	3'-11"	4'-5"	5'-0"	5'-9"	6'-9"	8'-1"	9'-8"	10'-2"	10'-8"	11'-3"	11'-11"	12'-7"	13'-5"	14'-4"	-	-	-
	16"	1'-3"	2'-0"	2'-8"	3'-5"	4'-1"	4'-11"	5'-10"	7'-3"	9'-5"	10'-4"	11'-4"	12'-4"	13'-4"	14'-5"	15'-10"	17'-6"	-
LPI 32Plus	9-1/2"	3'-7"	4'-2"	4'-10"	5'-10"	7'-1"	7'-5"	7'-9"	8'-1"	8'-5"	8'-10"	9'-4"	9'-10"	10'-5"	11'-1"	11'-10"	-	-
	11-7/8"	4'-7"	5'-2"	5'-10"	6'-8"	7'-10"	9'-2"	10'-8"	11'-2"	11'-8"	12'-4"	13'-0"	13'-8"	14'-7"	15'-8"	-	-	-
	16"	1'-7"	2'-5"	3'-3"	4'-1"	5'-0"	5'-10"	7'-0"	8'-8"	11'-1"	11'-10"	12'-8"	13'-5"	14'-6"	15'-8"	17'-0"	18'-10"	-
LPI 36	11-7/8"	6'-9"	7'-3"	7'-11"	8'-7"	9'-4"	10'-4"	11'-7"	12'-1"	12'-7"	13'-3"	13'-10"	14'-8"	15'-7"	16'-8"	-	-	-
	16"	3'-10"	4'-9"	5'-8"	6'-7"	7'-7"	8'-7"	9'-7"	10'-9"	12'-5"	13'-1"	13'-9"	14'-7"	15'-6"	16'-9"	18'-1"	19'-11"	-
	18"	4'-6"	5'-5"	6'-4"	7'-3"	8'-3"	9'-3"	10'-4"	11'-6"	12'-9"	14'-7"	17'-0"	18'-2"	19'-3"	23'-3"	-	-	-
LPI 42Plus	9-1/2"	5'-5"	6'-3"	7'-0"	7'-11"	8'-11"	9'-3"	9'-7"	9'-11"	10'-4"	10'-10"	11'-4"	11'-11"	12'-7"	13'-4"	14'-3"	-	-
	11-7/8"	7'-6"	8'-3"	8'-11"	9'-8"	10'-7"	11'-9"	13'-2"	13'-8"	14'-3"	14'-11"	15'-8"	16'-7"	17'-7"	18'-9"	-	-	-
	16"	4'-7"	5'-5"	6'-4"	7'-2"	8'-3"	9'-6"	10'-10"	12'-3"	14'-2"	14'-10"	15'-8"	16'-7"	17'-8"	18'-11"	20'-6"	22'-6"	-
	18"	5'-7"	6'-5"	7'-2"	8'-0"	8'-11"	10'-2"	11'-7"	13'-0"	14'-6"	16'-8"	19'-6"	20'-10"	22'-3"	24'-1"	26'-4"	-	-
	20"	1'-9"	2'-7"	3'-7"	4'-8"	5'-8"	6'-8"	7'-9"	8'-11"	10'-6"	12'-8"	15'-0"	17'-11"	22'-5"	24'-11"	28'-6"	-	-
LPI 52Plus	11-7/8"	8'-5"	9'-0"	9'-7"	10'-5"	11'-3"	12'-5"	13'-10"	14'-5"	15'-0"	15'-8"	16'-6"	17'-4"	18'-5"	19'-8"	-	-	-
	16"	6'-3"	7'-1"	7'-10"	8'-9"	9'-8"	10'-6"	11'-7"	13'-0"	14'-10"	15'-7"	16'-5"	17'-4"	18'-6"	19'-10"	21'-6"	23'-5"	-
	18"	7'-4"	8'-0"	8'-10"	9'-9"	10'-8"	11'-8"	12'-8"	13'-11"	15'-6"	17'-6"	20'-5"	21'-8"	23'-3"	25'-2"	27'-4"	-	-
	24"	3'-6"	4'-4"	5'-3"	6'-1"	7'-0"	7'-10"	8'-9"	9'-8"	10'-10"	12'-3"	14'-1"	16'-8"	19'-8"	22'-9"	26'-10"	32'-3"	-
LPI 56	11-7/8"	8'-10"	9'-5"	10'-1"	10'-11"	11'-10"	13'-0"	14'-6"	15'-2"	15'-9"	16'-6"	17'-4"	18'-3"	19'-3"	20'-5"	-	-	-
	16"	6'-7"	7'-5"	8'-3"	9'-2"	10'-1"	11'-1"	12'-2"	13'-8"	15'-7"	16'-4"	17'-3"	18'-2"	19'-5"	20'-9"	22'-6"	24'-4"	-
	18"	7'-11"	8'-10"	9'-8"	10'-6"	11'-4"	12'-3"	13'-3"	14'-7"	16'-2"	18'-2"	21'-3"	22'-8"	24'-3"	26'-2"	28'-3"	-	-
	24"	3'-4"	4'-2"	5'-4"	6'-8"	8'-0"	9'-4"	10'-8"	12'-1"	13'-5"	15'-0"	17'-1"	20'-1"	25'-2"	27'-10"	31'-1"	-	-

DESIGN ASSUMPTIONS:

1. The hole locations listed above are valid for joists supporting only uniform loads. The specified uniform dead load shall not exceed the specified uniform live load. These tables have NOT been evaluated for concentrated loads.
2. Hole location is measured from the inside face of bearing to the nearest edge of a rectangular hole, from the closest support.
3. Verify that the joist selected will work for the span and loading conditions needed before checking hole location.
4. The maximum hole depth for rectangular holes is the I-joist Depth less 4", except the maximum hole depth is 6" for 9-1/2" LPI joists, and 8" for 11-7/8" LPI joists. Where the Maximum Hole Dimension exceeds the hole depth, the dimension refers to hole width and the depth of the hole is assumed to be the maximum for that joist depth. The maximum hole width is 18", regardless of I-joist Depth.
5. Holes cannot be located in the span where designated "-", without further analysis by a design professional.

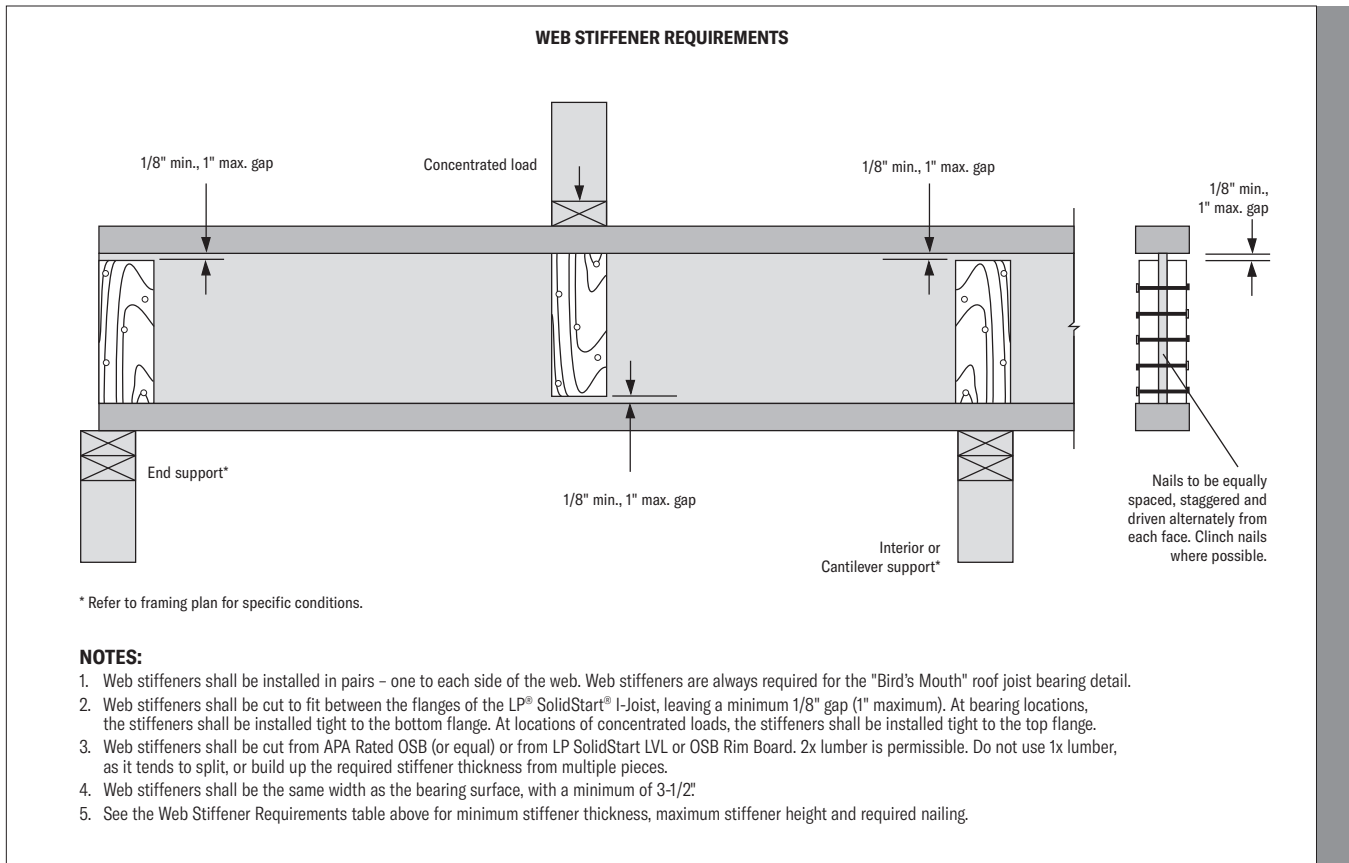
NOTES:

1. Holes may be placed anywhere within the depth of the joist. A minimum 1/4" clear distance is required between the hole and the flanges.
2. Round holes up to 1-1/2" diameter may be placed anywhere in the web.
3. Perforated "knockouts" may be neglected when locating web holes.
4. Holes larger than 1-1/2" are not permitted in cantilevers without special engineering.
5. Multiple holes shall have a clear separation along the length of the joist of at least twice the larger dimension of the larger adjacent hole, or a minimum of 12" center-to-center, whichever is greater.
6. Multiple holes may be spaced closer provided they fit within the boundary of an acceptable larger hole. Example: two 3" round holes aligned parallel to the joist length may be spaced 2" apart (clear distance) provided that a 3" high by 8" long rectangle or an 8" diameter round hole are acceptable for the joist depth at that location and completely encompass the holes.
7. For conditions not covered in this table, use LP's design software or contact your local LP® SolidStart® Engineered Wood Products distributor for more information.

Web Stiffeners

WEB STIFFENER REQUIREMENTS					
Series	Depth	Minimum Thickness	Maximum Height	Nail Size*	Nail Qty
LPI 20Plus & LPI 32Plus	9-1/2"	23/32"	6-3/8"	8d (2-1/2")	3
	11-7/8"	23/32"	8-3/4"	8d (2-1/2")	3
	14"	23/32"	10-7/8"	8d (2-1/2")	3
	16"	23/32"	12-7/8"	8d (2-1/2")	3
LPI 36	11-7/8"	23/32"	8-3/4"	8d (2-1/2")	4
	14"	23/32"	10-7/8"	8d (2-1/2")	5
	16"	23/32"	12-7/8"	8d (2-1/2")	6
	18"	23/32"	14-7/8"	8d (2-1/2")	7
LPI 42Plus	9-1/2"	1-1/2"	6-3/8"	10d (3")	3
	11-7/8"	1-1/2"	8-3/4"	10d (3")	3
	14"	1-1/2"	10-7/8"	10d (3")	3
	16"	1-1/2"	12-7/8"	10d (3")	3
	18"	1-1/2"	14-7/8"	10d (3")	7
	20"	1-1/2"	16-7/8"	10d (3")	8
LPI 52Plus	11-7/8"	1-1/2"	8-3/4"	10d (3")	3
	14"	1-1/2"	10-7/8"	10d (3")	3
	16"	1-1/2"	12-7/8"	10d (3")	3
	18"	1-1/2"	14-7/8"	10d (3")	3
LPI 56	11-7/8"	1-1/2"	8-3/4"	10d (3")	4
	14"	1-1/2"	10-7/8"	10d (3")	5
	16"	1-1/2"	12-7/8"	10d (3")	6
	18"	1-1/2"	14-7/8"	10d (3")	7
	24"	1-1/2"	20-7/8"	10d (3")	10

* Nail Size is for common wire nails.



S2

SPRINKLER SUPPORT
Factored Assembly Capacity 610 lbs.

Fastener

4 X 6 cross member requires two 16d (3-1/2") nails per end

2X6 block requires two 1/2" A307 bolts bolted through web

Verify hanger capacity with manufacturer.

NOTES:

- Holes for bolts shall be between 1/32" and 1/16" greater than the diameter of the bolt.
- Provide a flat washer and nut for bolts.
- Use three 16d (3-1/2") common nails to attach cross member to web.
- Lag screw fastener for rod should be located 1" from top of cross member.
- Consult NFPA 13 for lag screw dimensions and maximum supported pipe diameter.
- Sprinkler support should be centered between the joists.
- Spacing between joists is limited to 48" oc.
- Framing members to be SPF or better.

S3

SPRINKLER SUPPORT
Factored Assembly Capacity 375 lbs.

Fastener

4X6 cross member requires three 16d (3-1/2") nails per end

U-type hanger per NFPA 13

Verify hanger capacity with manufacturer.

NOTES:

- Use three 16d (3-1/2") common nails to attach cross member to web.
- Lag screw fastener for hanger should be located 2-1/2" from bottom of cross member for branch lines and 3" for mains.
- Consult NFPA 13 for lag screw dimensions and maximum supported pipe diameter.
- Sprinkler support should be centered between the joists.
- Spacing between joists is limited to 48" oc.
- Framing members to be SPF or better.

S4

SPRINKLER SUPPORT
Factored Assembly Capacity 305 lbs.

2X6 block requires two 1/2" A307 bolts bolted through web

U-type hanger per NFPA 13

Verify hanger capacity with manufacturer.

NOTES:

- Holes for bolts shall be between 1/32" and 1/16" greater than the diameter of the bolt.
- Provide flat washer and nut for bolts.
- Bolts should be located 2-1/2" from bottom of block.
- Consult NFPA 13 for maximum supported pipe diameter.
- Framing members to be SPF or better.

S7

SPRINKLER SUPPORT
Factored Assembly Capacity 375 lbs.

Fastener

4X6 cross member requires three 16d (3-1/2") nails per end

U-type hanger per NFPA 13

Verify hanger capacity with manufacturer.

NOTES:

- Use three 16d (3-1/2") common nails to attach cross member to web.
- Lag screw fastener for rod should be located 2-1/2" from bottom of cross member for branch lines and 3" for mains.
- Consult NFPA 13 for lag screw dimensions and maximum supported pipe diameter.
- Sprinkler support should be centered between joists.
- Joist spacing is limited to 48" oc.
- Framing members to be SPF or better.

S8

SPRINKLER SUPPORT
Factored Assembly Capacity 305 lbs.

Hole through web

2 X 6 block requires two 1/2" A307 bolts bolted through web

Inverted U-type hanger per NFPA 13

Hanger per NFPA 13.
Verify hanger capacity with manufacturer.

NOTES:

- Holes for bolts shall be between 1/32" and 1/16" greater than the diameter of the bolt.
- Provide a flat washer and nut for bolts.
- Bolts should be located 2-1/2" from bottom of block.
- Consult NFPA 13 for maximum supported pipe diameter.
- See product specific technical guide for hole sizes and location.
- Framing members to be SPF or better.

S9

SPRINKLER SUPPORT
Factored Assembly Capacity 120 lbs.

3/8" minimum machine bolt through web

Side beam bracket

2 X 6 Block

Verify hanger capacity with manufacturer.

NOTES:

- Holes for bolts shall be between 1/32" and 1/16" greater than the diameter of the bolt.
- Provide a flat washer and nut for bolts.
- Bolts should be located 2-1/2" from bottom of block.
- Consult NFPA 13 for maximum supported pipe diameter.
- Side beam bracket per NFPA 13.
- Framing members to be SPF or better.

Floor Details

<p>A1 RIM BOARD</p> <p>Fasten rim board to each floor I-joist using one 8d nail or 10d box nail per flange</p> <p>Web stiffener for Detail A1W only</p> <p>Same depth as I-joist</p> <p>8d nails at 6" oc toe-nailed from outside of building</p>	<p>A1W RIM BOARD Web Stiffener Required</p> <p>A2 RIM JOIST Refer to Note 8</p> <p>Rim joists with flanges wider than 1-3/4" require a minimum 2 x 6 plate</p> <p>Fasten rim joist to each floor I-joist with one 10d nail into the end of each flange. Use 16d box nails for rim joists with flanges wider than 1-3/4".</p> <p>8d nails at 6" oc (when used for shear transfer, nail to bearing plate with same nailing schedule for decking)</p>	<p>A3 BLOCKING AT EXTERIOR WALL</p> <p>8d nails at 6" oc (when used for shear transfer, nail to bearing plate with same nailing schedule for decking)</p>
--	--	--

<p>A4 SOLID BLOCKING AT EXTERIOR WALL</p> <p>LP LVL or OSB Rim Board as blocking</p> <p>Same depth as I-joist</p> <p>8d nails at 6" oc toe-nailed from outside of building</p>	<p>A5 JOIST SUPPORT NAILING</p> <p>Secure I-joist to plate with two 8d nails or 10d box. Drive one nail from each side of I-joist, angled inward.</p> <p>Place nail 1-1/2" min. from end of I-joist. If nails are close to edge of plate, drive at an angle to reduce splitting</p>	<p>B1 WEB STIFFENERS AT INTERIOR SUPPORT (When Required)</p> <p>Verify stiffener requirements (see Web Stiffener detail)</p>
---	--	---

<p>B2 SQUASH BLOCKS</p> <p>Blocking panels may be required with shear wall</p> <p>Use double squash blocks as specified. Squash blocks shall be cut 1/16" taller than I-joist. 2 x 4 min.</p> <p>Stagger 8d or 10d nails to avoid splitting</p> <p>Bearing wall aligned under wall above</p> <p>Toe-nail 8d or 10d box nail to plate</p>	<p>B3 BLOCKING AT INTERIOR SUPPORT</p> <p>Blocking is not required if no wall above unless I-joists end at support. Blocking may be required at interior supports by project designer or by code for seismic design</p> <p>Bearing wall aligned under wall above</p>	<p>NON-STACKING WALLS</p> <p>LP SolidStart I-joists shall be designed to carry all applied loads including walls from above that do not stack directly over the I-joist support.</p>
---	---	---

<p>D2 POST LOADS</p> <p>Squash blocks required under all post loads</p>	<p>E1 STAIR STRINGER</p> <p>Web filler (as backer block) minimum 12" long</p> <p>Filler block(s) minimum 4" long</p> <p>Approved connection (by others)</p> <p>See I-joist Header Cross-Section for connection information of the filler and backer blocks</p> <p>See I-joist Filler Schedule for filler block and web filler sizes</p>	<p>E2 HANGER DETAIL</p> <p>Verify capacity and fastening requirements of hangers and connectors</p> <p>Verify web filler requirements for hangers</p>
--	--	--

E3 I-JOIST HEADER

Verify web filler/stiffener requirements for hangers

See Double I-Joist Connection detail

Verify all hanger connections

Filler blocks

Web filler (as backer block)

Filler blocks

See I-Joist Header Cross-Section for information on attaching web fillers and filler blocks

Refer to I-Joist Filler Thickness table for web filler (backer block) and filler block sizes

E5 DOUBLE I-JOIST CONNECTION

Floor sheathing to be glued and nailed to flanges of both plies

6" o.c.

6" o.c.

Filler block

See I-Joist Header Cross-Section for information on attaching filler blocks

Refer to I-Joist Filler Thickness table for filler block sizes

E4 I-JOIST HEADER CROSS-SECTION

Backer Block (or Web Filler)

Verify web filler/stiffener requirements for hangers

Filler block(s)

Supported hanger (top-mount shown)

Filler Blocks:
Fasten I-Joists together with filler blocks between the LPI webs using 2 rows of 0.131"x3.25" nails at 6" o.c. from both sides, stagger rows, and clinch where possible. Refer to the I-Joist Filler Thickness table for the correct filler block thickness for each LPI series. Filler blocks must be at least 4' long, located at each support, and centered behind each hanger. For joists supporting only top loads that are equally applied to both plies, filler blocks can be spaced at 8' on center maximum.

Backer Blocks:
Fasten min. 12" long backer blocks at all hangers and concentrated loads, center backer block on load, using a minimum of 10 nails (0.131"x3.25", clinch where possible) spaced to avoid splitting with half the nails to each side of the center of the supported hanger. Refer to the I-Joist Filler Thickness table for the correct backer block thickness for each LPI series. For a single I-joist header, install backer blocks to both sides of the web. Backer blocks may be omitted for top-mount hangers supporting only downward loads not exceeding 250 lbs. Install backer blocks tight to top flange for top-mount hangers or top concentrated loads unevenly applied to both plies. Install tight to bottom flange for joists supporting face-mount hangers.

NOTES:

- For double LPI's the maximum "Side-Applied" unfactored loads for standard duration: Uniform Load = 520 plf, Concentrated Load = 1200 lbs. Loads may be increased with more nails, and adjusted for other load durations.
- Filler and backer blocks shall consist of APA Rated wood structural panel (OSB or plywood), 2 x lumber (SPF or better) or LP® SolidStart® LVL or OSB Rim Board.
- Filler and backer blocks for members that are top-loaded only, or for hangers that do not require nailing into the web, shall be at least 5-1/2" deep for I-joists to 11-7/8" deep, and shall be at least 7-1/4" deep for I-joists 14" and deeper. Otherwise filler blocks shall fit the clear distance between flanges with a gap of at least 1/8", but not more than 1".

Filler Block Example: Lumber fillers may be stacked to achieve the required depth. Two 2 x 8s may be stacked vertically to achieve the filler depth for an 18" deep I-joist (min. req. is 18"-3"-1"=14"). One row of nails must be in each row of stacked fillers.

Backer Block Example: Two pieces of 2 x 8 (min.) lumber, cut to the proper height, may be set vertically side-by-side to achieve the required minimum 12" length.

NON LOAD-BEARING CANTILEVER

OSB or equal closure

Uniform loads only

1/3 adjacent span (max.)

Adjacent span

BEVEL CUT/FIRE CUT

LPI blocking or other lateral support required at ends of I-Joist

Bevel cut may not extend beyond inside face of bearing wall

I-JOIST FILLER THICKNESS		
Series	Filler Block	Web Filler/Backer Block
LPI 20Plus LPI 32Plus	2-1/8"	1"
LPI 36	1-7/8"	7/8"
LPI 42Plus LPI 52Plus LPI 56	3"	1-1/2"

- NOTES:**
- Backer blocks and filler blocks shall consist of APA Rated wood structural panel (OSB or plywood), or 2x lumber (SPF or better).
 - LP LVL or OSB Rim Board may also be used.
 - Refer to the Notes for the I-Joist Header Cross-Section above for details on the required height and length, and nailing of the backer blocks and filler blocks.

- GENERAL NOTES:**
- Some wind or seismic loads may require different or additional details and connections.
 - Verify building code requirements for suitability of details shown.
 - Refer to page 5 for bearing length requirements.
 - Refer to page 5 for Flange Face Nailing Schedule for LPI rim joist or blocking panel nailing.
 - Lateral support shall be considered for bottom flange when there is no sheathing on underside.
 - Verify capacity and fastening requirements of hangers and connectors.
 - Squash block capacity designed by others.
 - Do not use LPI joists with flanges wider than 2-1/2" as rim joists.

Roof Details

<p>J1 RAFTER CONNECTION</p> <p>Simpson® LSTA24, USP® LSTI-22 strap or equal</p> <p>LPI blocking⁵</p> <p>Support beam or wall</p> <p>Beveled plate</p>	<p>J2 RAFTER CONNECTION WITH FITTED OSB GUSSET</p> <p>23/32" x 2'-0" OSB with 8-16d nails each side min. 1/8" gap at top</p> <p>LPI blocking⁵</p> <p>Support beam or wall</p> <p>Beveled plate</p>	<p>J3 RIDGE RAFTER CONNECTION</p> <p>Web filler required each side</p> <p>Simpson LSTA24, USP LSTI-22 strap (or equal) for pitch over 7:12</p> <p>Structural beam</p> <p>Simpson LSSU, USP TMU (or equal) hanger</p>
---	--	---

<p>J4 HEADER CONNECTION</p> <p>Simpson LSTA24, USP LSTI-22 strap (or equal) for pitch over 7:12</p> <p>Header</p> <p>Simpson LSSU, USP TMU (or equal) hanger</p> <p>Web filler required each side</p>	<p>H1 BIRD'S MOUTH (Lower bearing only)</p> <p>Don't cut beyond inside face of bearing</p> <p>Cut to fit tight to wall plate</p> <p>LPI blocking⁵</p> <p>2'-0" max.</p> <p>Beveled web stiffeners required both sides</p>	<p>H2 BEVELED PLATE</p> <p>LPI blocking⁵</p> <p>2x beveled plate</p> <p>Simpson VPA, USP TMP (or equal) connector may be substituted for beveled plate</p>
--	---	--

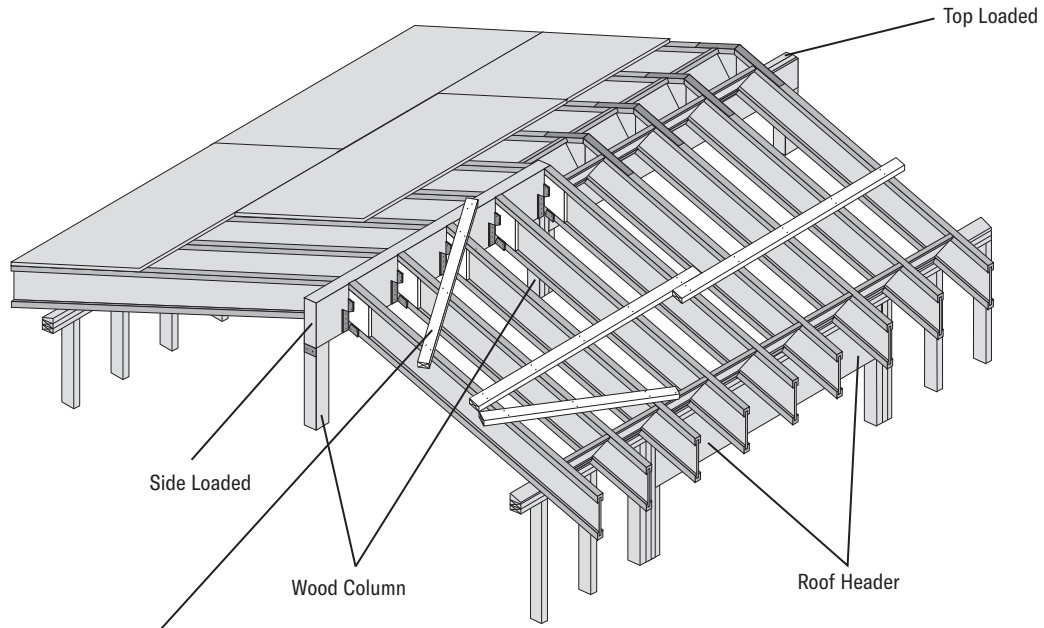
<p>H3 FLAT SOFFIT (Fascia Support)</p> <p>LPI blocking⁵</p> <p>8d nails at 6" oc clinched</p> <p>Beveled plate</p> <p>2 x 4 cut to fit</p> <p>2'-0" max.</p>	<p>H4 OVERHANG</p> <p>8d nails at 6" oc staggered and clinched</p> <p>LPI blocking⁵</p> <p>4'-0" min.</p> <p>2 x 4 cut to fit both sides</p> <p>2 x 4 filler</p> <p>2'-0" max.</p>	<p>H5 OVERHANG</p> <p>8d nails at 6" oc 1" from edge</p> <p>LPI blocking⁵</p> <p>4'-0" min.</p> <p>2 x 4 cut to fit</p> <p>Beveled plate</p> <p>8d or 10d box toe-nail to plate</p> <p>Web fillers required both sides of I-Joist</p> <p>2'-0" max.</p>
--	--	---

<p>K1 ROOF OPENING Hanger Connections</p> <p>Simpson LSTA24, USP LSTI-22 strap (or equal) for pitch over 7:12</p> <p>Simpson LSSU, USP TMU (or equal) hanger</p> <p>Web filler</p> <p>Filler on back side</p> <p>Install header plumb</p> <p>Filler block</p> <p>Web filler</p>	<p>K2 OUTRIGGER</p> <p>8d nails staggered at 6" oc</p> <p>Maximum overhang same as rafter spacing (2'-0" max.)</p> <p>2 x 4 filler</p> <p>Ladder</p> <p>Gable end</p>
--	--

NOTES:

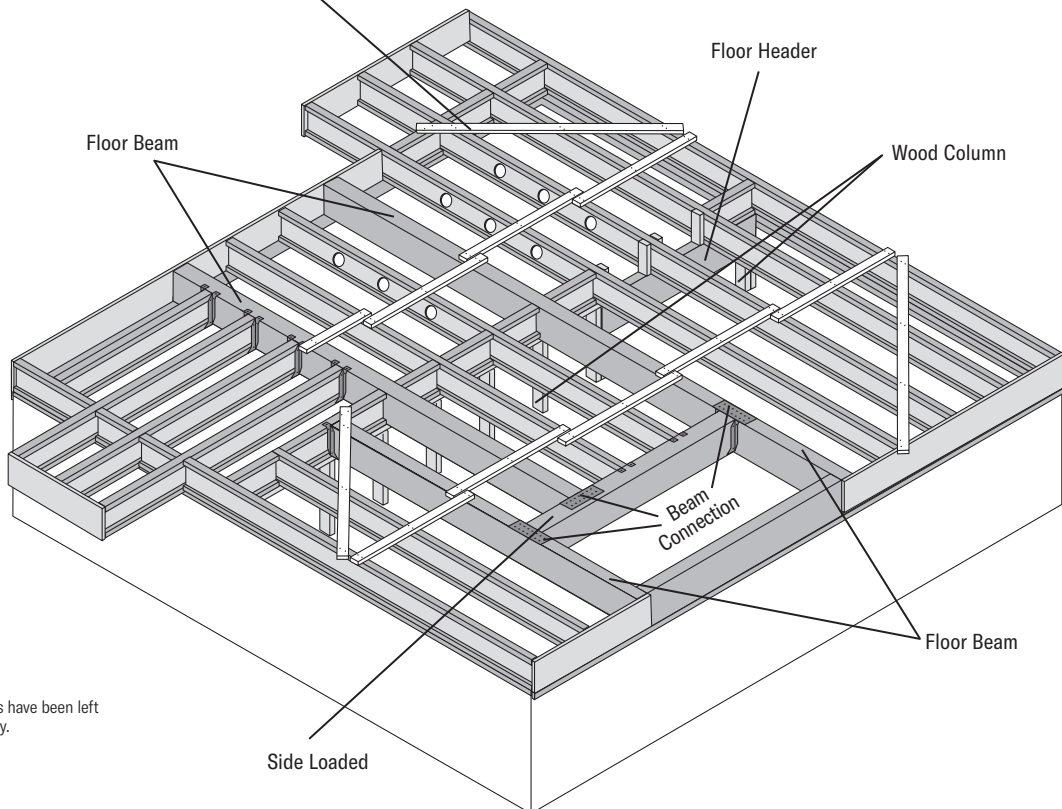
1. Minimum pitch: 1/4" per foot (1/4:12). Maximum pitch: 12" per foot (12:12).
2. Verify capacity and fastening requirements of hangers and connectors.
3. Some wind or seismic loads may require different or additional details and connections. Uplift anchors may be required.
4. 4" diameter hole(s) may be cut in blocking for ventilation.
5. Lateral resistance shall be provided. Other methods of restraint, such as full depth LP SolidStart OSB Rim Board, LP® SolidStart® LVL, or metal X-bracing may be substituted for the LP blocking shown.

Temporary Bracing



WARNING:

Temporary construction bracing required for lateral support before decking is completed. Failure to use bracing could result in serious injury or death. See Installation Guide for specifics.



NOTE:

Some details have been left out for clarity.

LP® SolidStart® Rim Board

FACTORED RIM BOARD RESISTANCE						
Material	Grade	Thickness	Vertical Load Resistance			Lateral Load Resistance ^{4,5,6} f_H (plf)
			Uniform		Concentrated	
			$d \leq 16"$	$16" < d \leq 24"$	$d \leq 24"$	
LP OSB	APA C1/Rim Board ⁷	1-1/8"	7033	4640	5072	219

NOTES:

- The Factored Vertical Load Resistance shall not be increased for short-term load duration.
- The Factored Vertical Load Resistance is based on the resistance of the rim board and may need to be reduced based on the bearing resistance of the supporting wall plate or the attached floor sheathing.
- The Factored Concentrated Vertical Load Resistance is assumed to be applied through a minimum 4-1/2" bearing length (3-stud post).
- The Factored Lateral Load Resistance is based on a short-term load duration and shall not be increased.
- The Factored Lateral Load Resistance is based on the connections specified in the Installation details below.
- Additional framing connectors fastened to the face of the rim board may be used to increase lateral resistance for wind and seismic design.
- APA C1 grade in product standard ANSI/APA PRR 410-2011 is equivalent to the rim board grade in product standard APA PRR-401C.

FACTORED UNIFORM LOADS (PLF) FOR RIM BOARD HEADERS: MAXIMUM 4' CLEAR SPAN					
Material	Thickness	Rim Board Depth			
		9-1/2"	11-7/8"	2-Ply 14"	2-Ply 16"
LP OSB	1-1/8"	620 (3")	965 (3")	2220 (4-1/2")	2535 (4-1/2")

NOTES:

- This table is for preliminary design for uniform gravity loads only. Final design should include a complete analysis of all loads and connections.
- The factored load resistances are for a maximum 4' clear span with minimum bearings for each end (listed in parentheses) based on the bearing resistance of the rim board. For headers bearing on wood plates, the bearing length may need to be increased based on the ratio of the bearing resistance of the rim board divided by the bearing resistance of the plate species.
- Standard load duration is assumed and shall be adjusted according to code.
- Depths greater than 11-7/8" shall be used with a minimum of two plies, as shown. Depths of 11-7/8" and less may be used as a two-ply header by multiplying the resistance by two.
- Multiple-ply headers shall be toe-nailed to the plate from both faces. Fasten the floor sheathing to the top of each ply to provide proper lateral support for each ply.
- For multiple-ply headers supporting top-loads only, fasten plies together with minimum 2-1/2" nails (common wire or spiral) at a maximum spacing of 12" oc. Use 2 rows of nails for 9-1/2" and 11-7/8". Use 3 rows for depths 14" and greater. Clinch the nails where possible. For side-loaded multiple-ply headers, refer to the Connection Resistance For Side-Loaded 2-Ply Rim Board Headers table below for the required nailing and the maximum side load that can be applied.
- The designer shall verify proper bearing for the header.
- Joints in the rim are not allowed over openings and must be located at least 12" from any opening.
- Refer to the "APA Performance Rated Rim Boards - Limit States Design" (Form No. D340 CA) for additional information including uniform load resistance for smaller openings.

CONNECTION RESISTANCE FOR SIDE-LOADED 2-PLY RIM BOARD HEADERS (PLF)						
Material	Thickness	Minimum Nail Size	3 Rows of Nails at 6" oc	4 Rows of Nails at 6" oc	5 Rows of Nails at 6" oc	5 Rows of Nails at 6" oc
LP OSB	1-1/8"	2-1/2"	1280	1707	2134	2561

NOTES:

- This table represents the factored uniform side-load resistance of the connection for a 2-ply header. The total factored uniform load, including top-load and side-load, shall not exceed the factored uniform load resistance of the header as tabulated above.
- The tabulated side-load resistance is for standard load duration and shall be adjusted according to code.
- Use 3 rows of nails for 9-1/2" and 11-7/8"; 4 rows for 14" and 16"; 5 rows for 18" and 20"; 6 rows for 22" and 24" deep rim board.
- Nails may be either common wire or spiral. The factored resistances are based on spiral nails. Clinch the nails where possible.
- Headers consisting of more than 2 plies, alternate fastening or higher side loads are possible but require proper design of the connection.

INSTALLATION

RIM TO JOIST CONNECTION

Nail rim to I-joist with one 8d (box or common) or 10d box nail into each flange.

DECK TO RIM AND RIM TO PLATE CONNECTIONS¹

- Nail floor sheathing to rim board with 8d nails at 6" oc.
- Nail wall plate through floor sheathing into rim per code.
- Toe-nail rim board to wall plate with 8d nails at 6" oc.

See T&G Trim Requirements detail and table.

T&G TRIM REQUIREMENTS²

See T&G Trim Requirements table below for when to trim tongue or groove

Trim tongue (or groove) Trim not required

NOTE:

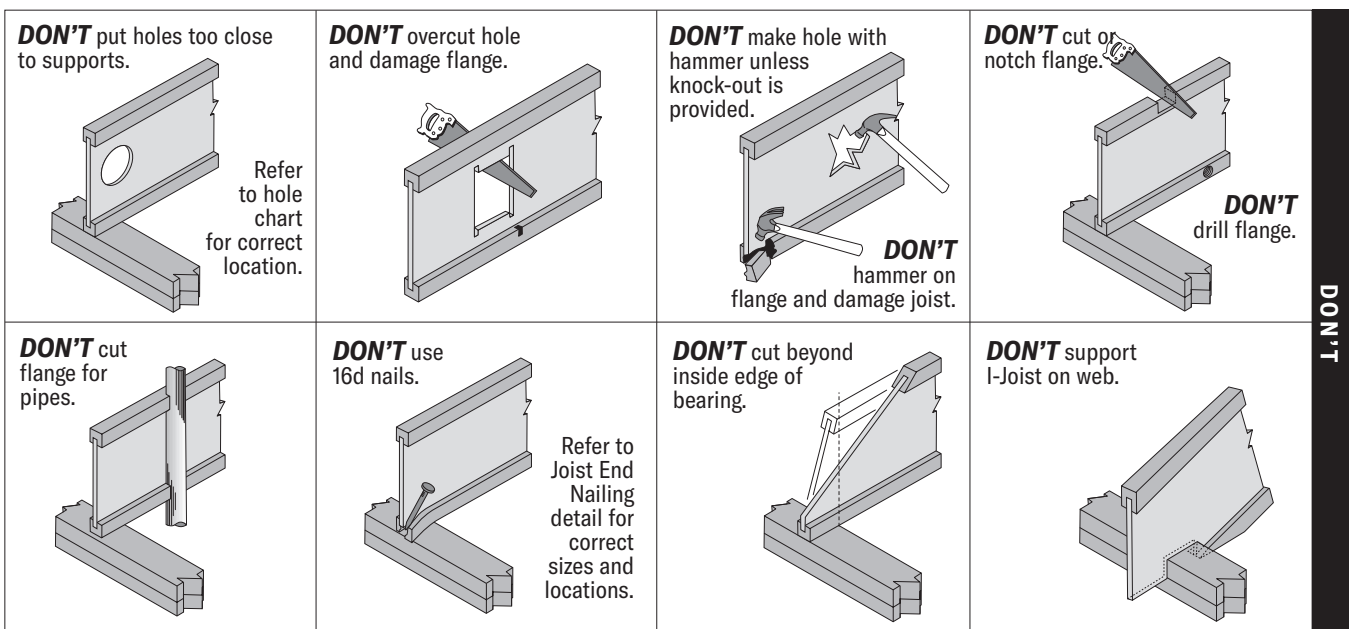
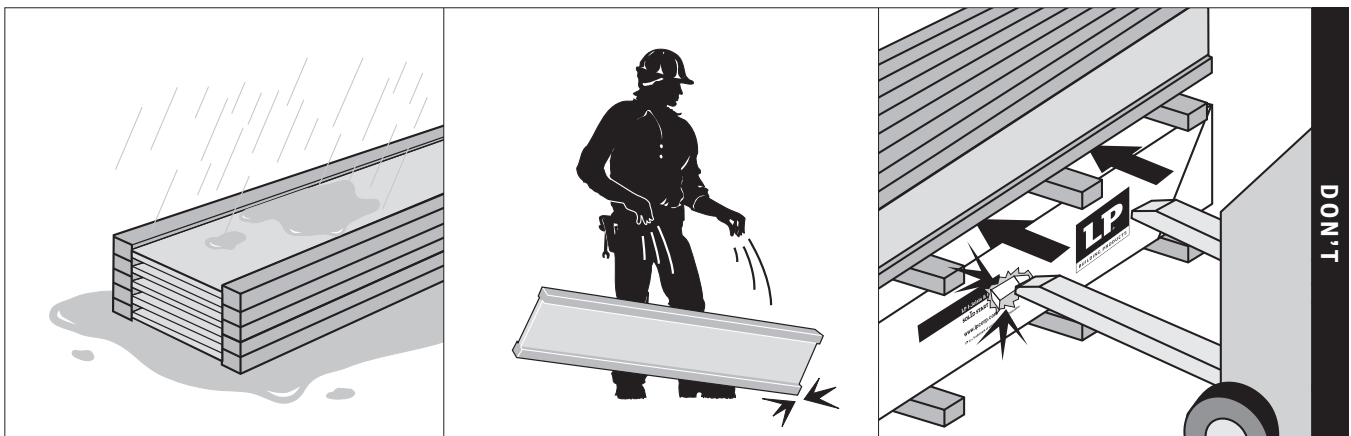
- Additional framing connectors to the face of the rim board may be used to increase lateral capacity for wind and seismic design.
- Trim the tongue or groove of the floor sheathing in accordance with the T&G Trim Requirements table.

T&G TRIM REQUIREMENTS				
Floor Sheathing Thickness	Rim Board Thickness			
	1"	1-1/8"	1-1/4"	> 1-1/4"
≤ 7/8"	Trim	Not Required	Not Required	Not Required
> 7/8"	Trim	Trim	Trim	Not Required

WARNINGS

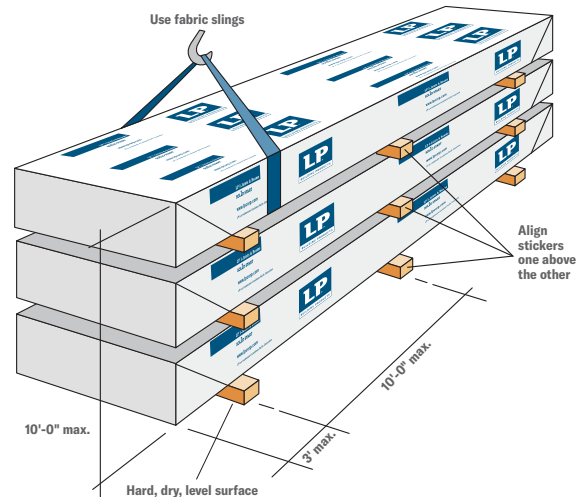
The following conditions are **NOT** permitted!

Do not use visually damaged products without first checking with your local LP SolidStart Engineered Wood Products distributor or sales office.



HANDLING & STORAGE GUIDELINES

- **WARNING:** Failure to follow proper procedures for handling, storage and installation could result in unsatisfactory performance, unsafe structures and possible collapse.
- Keep LP® SolidStart® Engineered Wood Products dry. These products are intended to resist the effects of moisture on structural performance from normal construction delays but are not intended for permanent exposure to the weather.
- Unload products carefully, by lifting. Support the bundles to reduce excessive bowing. Individual products should be handled in a manner which prevents physical damage during measuring, cutting, erection, etc. I-Joists shall be handled vertically and not flatwise.
- Keep products stored in wrapped and strapped bundles, stacked no more than 10' high. Support and separate bundles with 2 x 4 (or larger) stickers spaced no more than 10' apart. Keep stickers in line vertically.
- Product must not be stored in contact with the ground, or have prolonged exposure to the weather.
- Use forklifts and cranes carefully to avoid damaging product.
- Do not use a visually damaged product. Call your local LP SolidStart Engineered Wood Products distributor for assistance when damaged products are encountered.
- For satisfactory performance, LP SolidStart I-Joists and LVL must be used under dry, covered and well-ventilated interior conditions in which the average equilibrium moisture content (MC) of lumber is 15% or less over a year and does not exceed 19% at any time.
- For built-up members, LP SolidStart I-Joists and LVL shall be dry before nailing or bolting to avoid trapping moisture.
- LP SolidStart I-Joists and LVL shall not be used for unintended purposes such as ramps and planks.



LP SolidStart I-JOISTS

LPI 20Plus

Width: 2-1/2"
Depths: 9-1/2", 11-7/8", 14", 16"
Web Thickness: 3/8"
Flange Material: Solid Sawn
Flange Depth: 1-1/2"
Lengths: Up to 64' in 2' increments

LPI 32Plus

Width: 2-1/2"
Depths: 9-1/2", 11-7/8", 14", 16"
Web Thickness: 3/8"
Flange Material: Solid Sawn
Flange Depth: 1-1/2"
Lengths: Up to 64' in 2' increments

LPI 36

Width: 2-1/4"
Depths: 11-7/8", 14", 16", 18"
Web Thickness: 3/8"
Flange Material: LVL
Flange Depth: 1-1/2"
Lengths: Up to 64' in 2' increments

LPI 42Plus

Width: 3-1/2"
Depths: 9-1/2", 11-7/8", 14", 16", 18", 20", 24"
Web Thickness: 3/8" or 7/16"
Flange Material: Solid Sawn
Flange Depth: 1-1/2"
Lengths: Up to 64' in 2' increments

LPI 52Plus

Width: 3-1/2"
Depths: 11-7/8", 14", 16"
Web Thickness: 7/16"
Flange Material: Solid Sawn
Flange Depth: 1-1/2"
Lengths: Up to 64' in 2' increments

LPI 56

Width: 3-1/2"
Depths: 11-7/8", 14", 16", 18", 24"
Web Thickness: 7/16"
Flange Material: LVL
Flange Depth: 1-1/2"
Lengths: Up to 64' in 2' increments

CODE EVALUATION

CCMC evaluation reports can be obtained at www.nrc-cnrc.gc.ca.
CCMC 12412-R
APA PR-L238C

For more information on the full line of LP SolidStart Engineered Wood Products or the nearest distributor, visit our web site at LPCorp.com.

Phone: 1-888-820-0325

E-mail: customer.support@LPCorp.com.

LP SolidStart Engineered Wood Products are manufactured at different locations in the United States and Canada.

Please verify availability with the LP SolidStart Engineered Wood Products distributor in your area before specifying these products.



For product catalog & complete warranty details, visit LPCorp.com